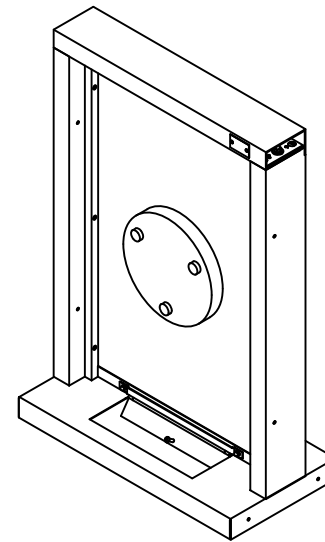
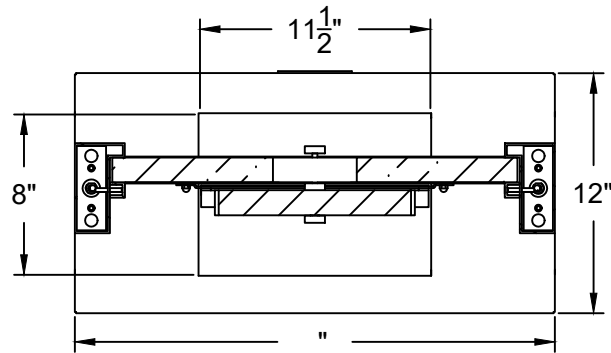
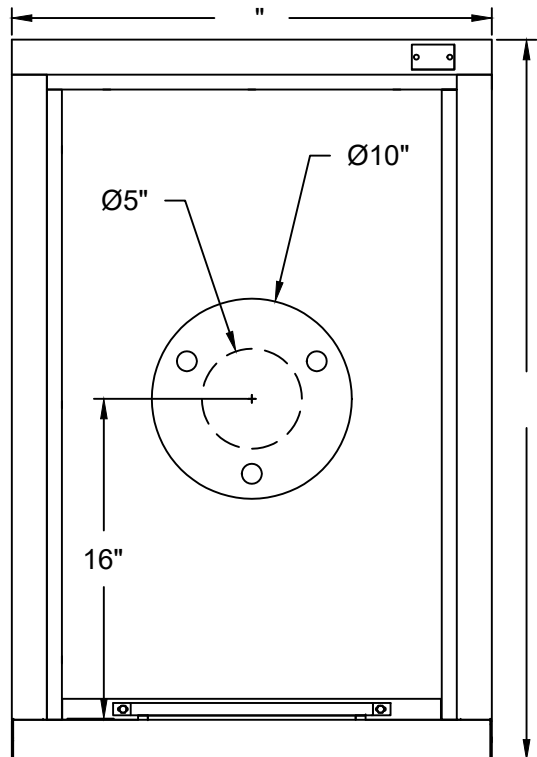




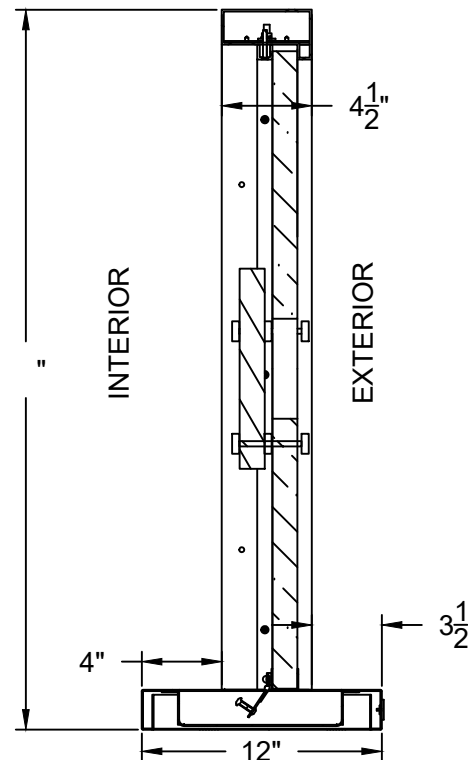
Top View



Interior Front View



Side View



PLEASE SELECT:

1. FRAMING:
  - Aluminum
  - Stainless
  - Bronze Anodized
  - Other: \_\_\_\_\_
  - Loaded Aluminum
  - Clear Anodized
  - 1-1/4" Acrylic - L1
  - 1-1/4" Acrylic - L3
  - Other: \_\_\_\_\_
2. FRAME COLOR:
  - Non-BR - Curved
  - BR - Square
3. GLAZING:
  - 3/4" Poly - L1
  - 1-1/4" Poly - L3
  - Other: \_\_\_\_\_
4. DEAL TRAY TYPE:
  - Non-BR - Curved
  - BR - Square
5. SPEAKER:
  - 6" BR Speak-Thru (L3)
  - 5" Non-BR Speak Plate
  - SC-100 Amplified
  - Speak Around
  - Acrylic BR-Speak Thru Round
  - SC-100L Amplified

**Key Notes**

**Unit:**  
TWB 2436 With Round Speak Thru

**Actual Dimension:**  
"(W) x "(H)

**Rough Opening:**

**Engineer Notes**

Date drawn: 3/11/2021  
 Drawn by: Avasquez  
 File name: T1-2436\_ROUND-BR.dwg

Page: 1 of 1

Scale: 1:10

NOTE: THIS DRAWING EMBODIES A CONFIDENTIAL PROPRIETY DESIGN ORIGINATED AND OWNED BY QUIKSERV CORP., AND IS SUBMITTED UNDER A CONFIDENTIAL RELATIONS ALL PATENT, MANUFACTURING, SALE RIGHTS REGARDING THE SAME ARE RESERVED EXCEPT TO THE EXTENT RIGHTS ARE EXPRESSLY GRANTED TO OTHERS. THE RECIPIENT AGREES BY ACCEPTING THESE DRAWINGS NOT TO SUPPLY OR DISCLOSE ANY INFORMATION REGARDING THEM TO ANY UNAUTHORIZED PERSONAL.

SIGNATURE: \_\_\_\_\_

DATE: \_\_\_\_\_