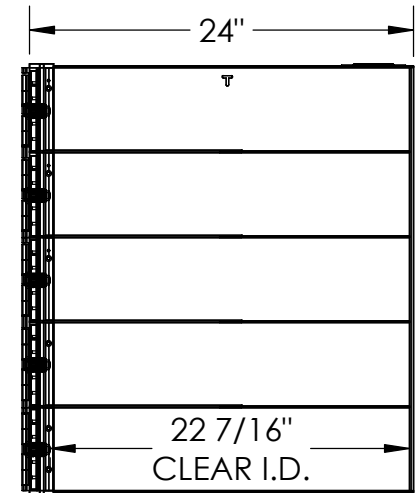
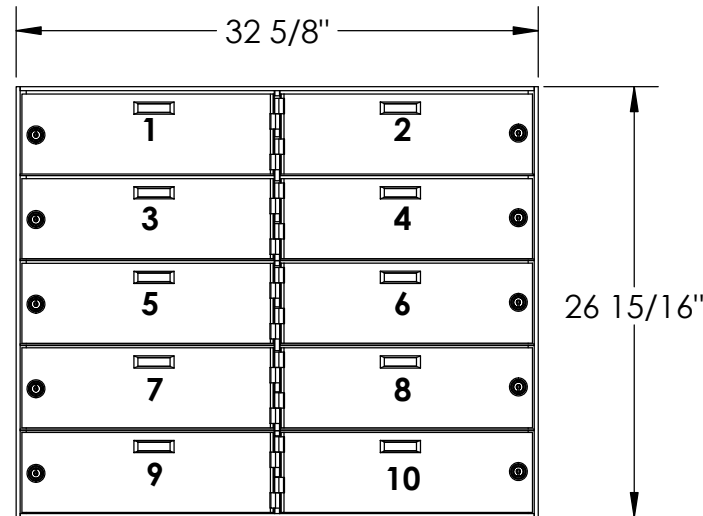
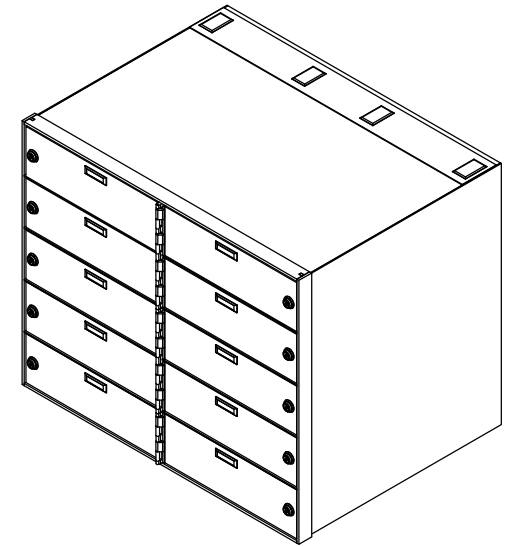
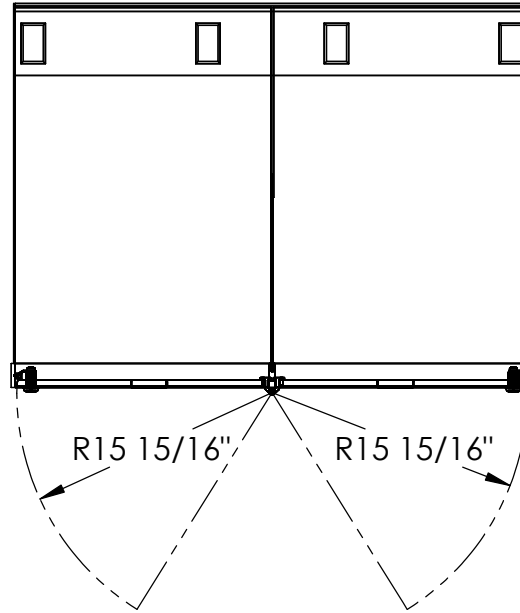


**ML-10**  
**32 5/8" W X 26 15/16" H X 24" D**  
**PAINTED BLACK**  
**BRONZE HINGES**  
**BRUSHED ALUM. DOORS**  
**SINGLE NOSE LOCKS**

REVISIONS			
REV.	DESCRIPTION	DATE	APPROVED



**COVENANT**  
 Security Equipment

**PROPRIETARY AND CONFIDENTIAL**  
 THE INFORMATION CONTAINED IN THIS DRAWING IS THE SOLE PROPERTY OF VAULT STRUCTURES, INC. ANY REPRODUCTION IN PART OR AS A WHOLE WITHOUT THE WRITTEN PERMISSION OF VAULT STRUCTURES, INC IS PROHIBITED.

MATERIAL :  
 GAUGE :  
 GRAIN :  
 BEND RAD. :  
 K-FACTOR :

DWG. NO. NML-10-26.938 H PROD

TITLE: JOB # TBD.

DRAWN BY: SAC

MODEL BY: SAC

WEIGHT: 253.90

SCALE: 1:12

DATE: 8/8/2011

SHEET 1 OF 6

REV

X