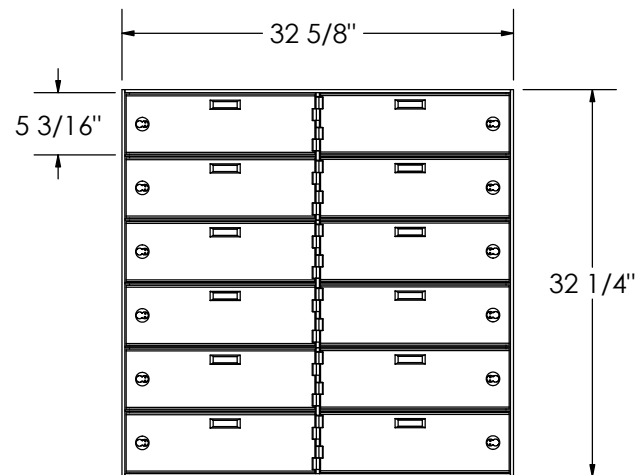
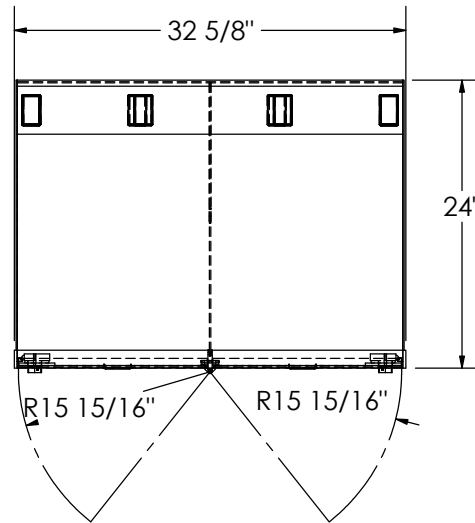


ML-12 LOCKER
 32 1/4"H X 32 5/8"W X 24"D
PAINTED BLACK
BRONZE COLOR HINGES
 BRUSHED ALUM DOORS
 SINGLE NOSE LOCKS

REVISIONS			
REV.	DESCRIPTION	DATE	APPROVED



COVENANT
 Security Equipment

PROPRIETARY AND CONFIDENTIAL
 THE INFORMATION CONTAINED IN
 THIS DRAWING IS THE SOLE
 PROPERTY OF VAULT STRUCTURES,
 INC. ANY REPRODUCTION IN PART
 OR AS A WHOLE WITHOUT THE
 WRITTEN PERMISSION OF VAULT
 STRUCTURES, INC IS PROHIBITED.

MATERIAL :
 GAUGE :
 GRAIN :
 BEND RAD. :
 K-FACTOR:

DWG. NO. NML-12

TITLE: TBD

DRAWN BY: MA

MODEL BY:

WEIGHT: 333.40

SCALE: 1:16

DATE: 4/4/2014

SHEET 2 OF 3

REV

X