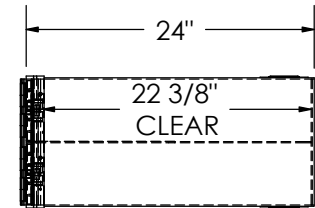
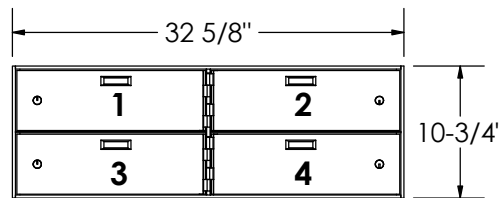
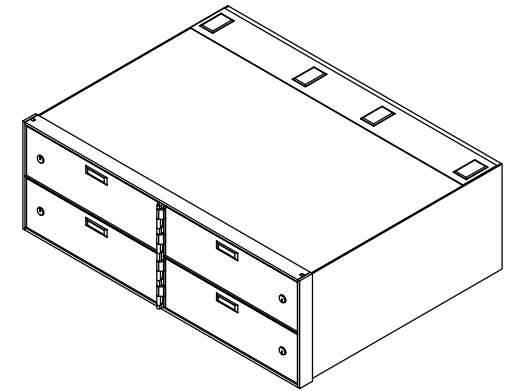
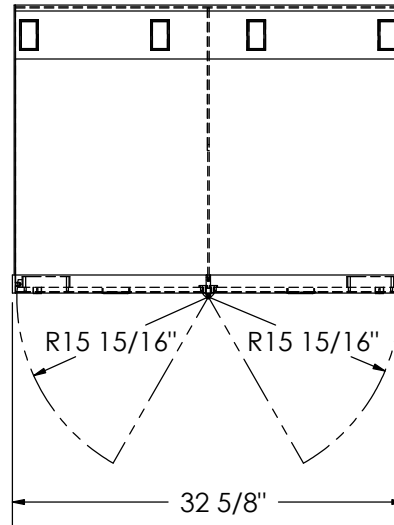


NML-4 LOCKER
32 5/8W X 10.75H X 24.00D
12 GA" STEEL PLATE CASE
PAINTED BLACK.
BRUSHED ALLOY DOORS.
FOUR (4) SINGLE NOSE SDB KEY LOCKS
BRONZE HINGES

REV.	DESCRIPTION	DATE	APPROVED
------	-------------	------	----------



PROPRIETARY AND CONFIDENTIAL
 THE INFORMATION CONTAINED IN THIS DRAWING IS THE SOLE PROPERTY OF VAULT STRUCTURES, INC. ANY REPRODUCTION IN PART OR AS A WHOLE WITHOUT THE WRITTEN PERMISSION OF VAULT STRUCTURES, INC IS PROHIBITED.

MATERIAL :
 GAUGE :
 GRAIN :
 BEND RAD. :
 K-FACTOR:

DWG. NO. NML-4-10.75H APPROVAL
 TITLE:

DRAWN BY: SAC
 WEIGHT: 131.14
 DATE: 5/13/2011
 MODEL BY:
 SCALE: 1:16
 SHEET 1 OF 1

REV
 X