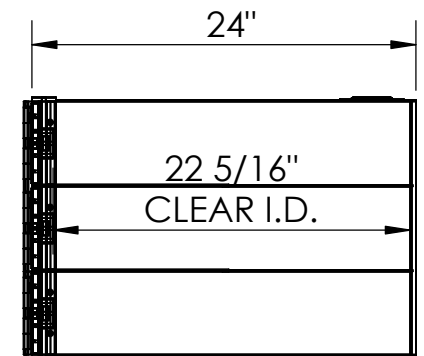
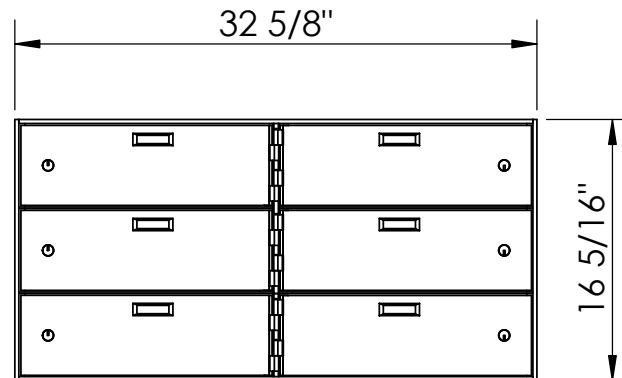
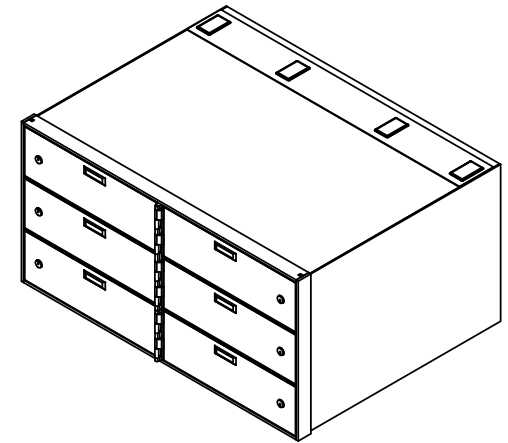
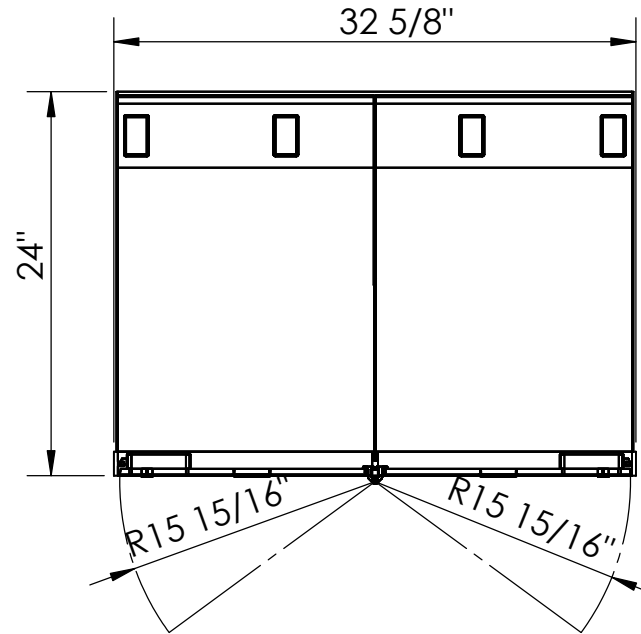


**NML - 6**  
**16 5/16" H X 32 5/8" W X 24"D**  
**PAINTED BLACK**  
**SIX (6) 5" X 16" BRUSHED ALUM DOORS**  
**SINGLE NOSE LOCKS**  
**BRONZE HINGES**



**COVENANT**  
 Security Equipment

**PROPRIETARY AND CONFIDENTIAL**  
 THE INFORMATION CONTAINED IN  
 THIS DRAWING IS THE SOLE  
 PROPERTY OF VAULT STRUCTURES,  
 INC. ANY REPRODUCTION IN PART  
 OR AS A WHOLE WITHOUT THE  
 WRITTEN PERMISSION OF VAULT  
 STRUCTURES, INC IS PROHIBITED.

MATERIAL :  
 GAUGE :  
 GRAIN :  
 BEND RAD. :  
 K-FACTOR:

DWG. NO. NML-6 NPT-5-SN-SDB

TITLE: 16.3125H X 32.625W X  
 24.00D

DRAWN BY: XXX

WEIGHT: 169.90

DATE: 6/16/2014

REV

MODEL BY: RS

SCALE: 1:12

SHEET 1 OF 1

X