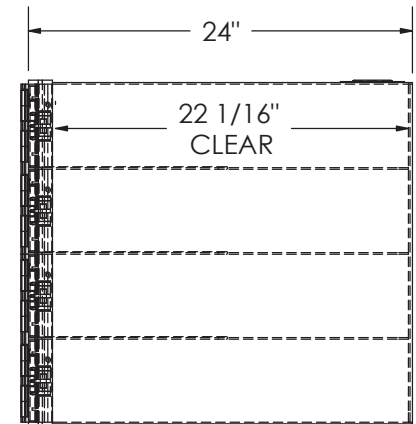
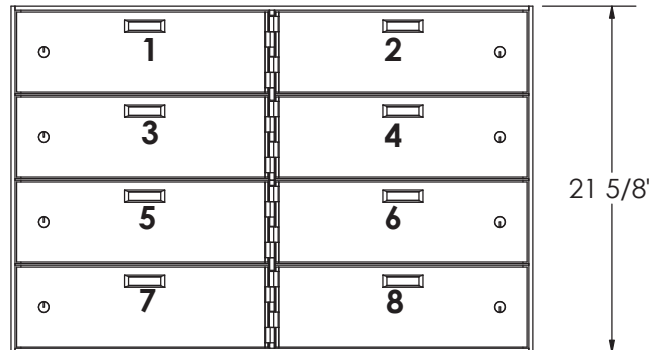
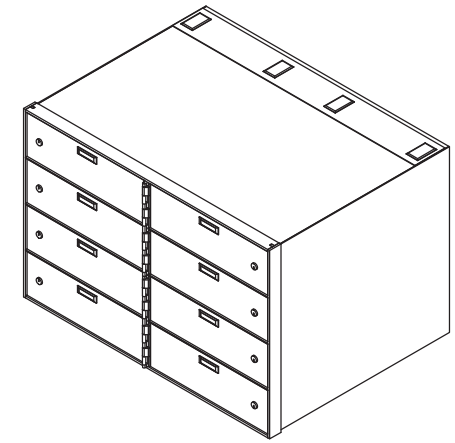
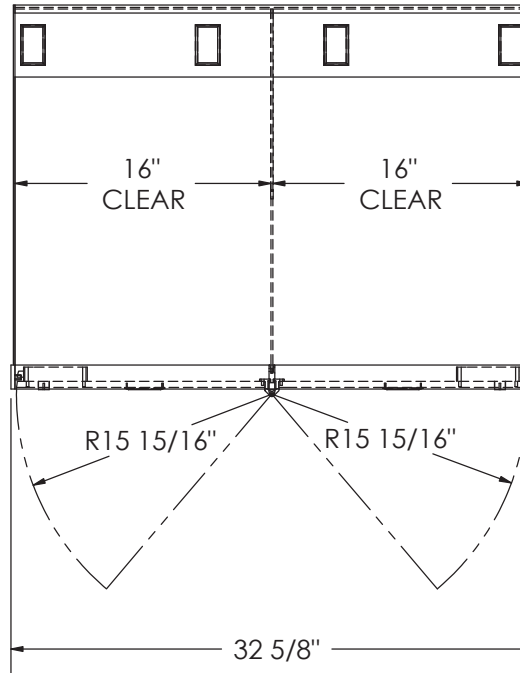


NML-8 LOCKERS
21 5/8 H X 32-5/8 W X 24 D
CASE PAINTED BLACK
BRUSHED ALLOY DOORS
BRONZE HINGES
SINGLE NOSE LOCKS

REVISIONS			
REV.	DESCRIPTION	DATE	APPROVED



COVENANT
Security Equipment

PROPRIETARY AND CONFIDENTIAL
 THE INFORMATION CONTAINED IN THIS DRAWING IS THE SOLE PROPERTY OF VAULT STRUCTURES, INC. ANY REPRODUCTION IN PART OR AS A WHOLE WITHOUT THE WRITTEN PERMISSION OF VAULT STRUCTURES, INC IS PROHIBITED.

MATERIAL :
 GAUGE :
 GRAIN :
 BEND RAD. :
 K-FACTOR :

DWG. NO. NML-8 PT-5 SN-SDB

TITLE: NML-8

DRAWN BY: XXX

MODEL BY:

WEIGHT: 224.59

SCALE: 1:12

DATE: 6/6/2011

SHEET 1 OF 1

REV

X