

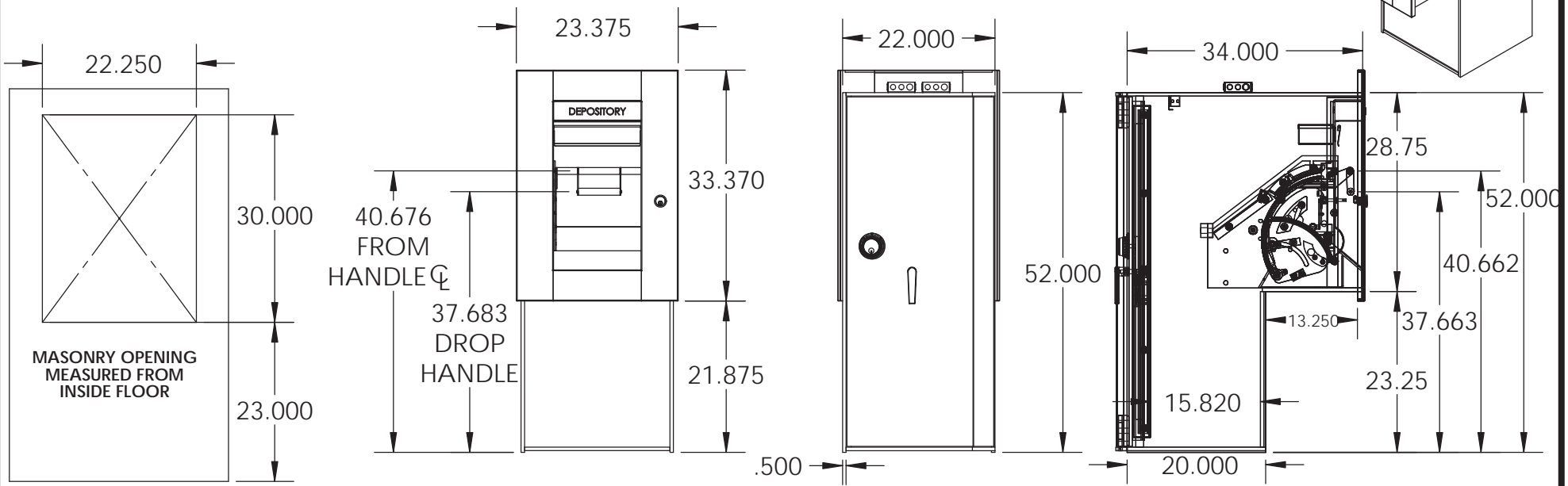
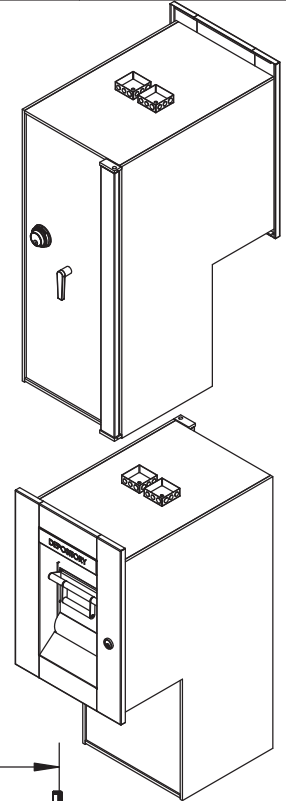
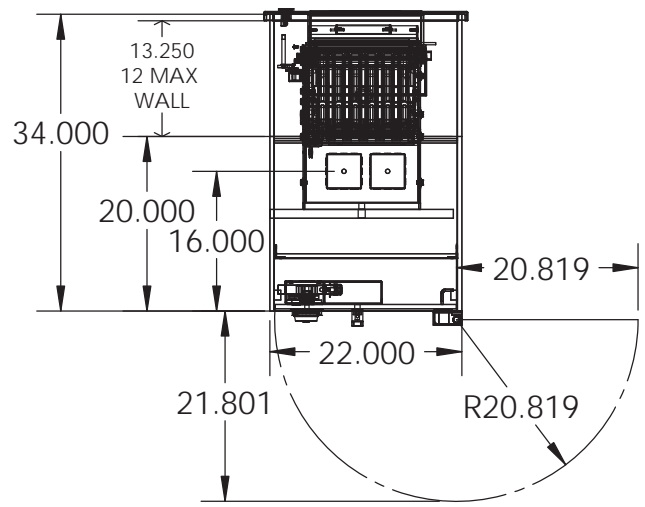
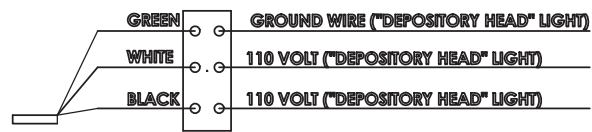
**CSE-VSI-TL15-5820 | Night Depository Safe Drive-up**  
 52"H X 22"W X 20"D  
 HALF INCH STEEL BODY  
 RIGHT SWING  
 PAINTED: BLACK  
 12' MAX WALL ON ND HEAD

S&G KEY LOCKING COMBO LOCK  
 DOOR CONTACT/THERMOSTAT ALARM KIT  
 ONE (1) VIBRATION DETECTORS  
 ADA DEVICE & HANDLE.  
 NDH SET FOR BAG AND ENVELOPE

APPROVED BY: \_\_\_\_\_

DATE: \_\_\_\_\_  
 ONLY SHEET 1 SENT FOR APPROVAL

REV.	DESCRIPTION	DATE	APPROVED
------	-------------	------	----------



PROPRIETARY AND CONFIDENTIAL THE INFORMATION CONTAINED IN THIS DRAWING IS THE SOLE PROPERTY OF VAULT STRUCTURES, INC. ANY REPRODUCTION IN PART OR AS A WHOLE WITHOUT THE WRITTEN PERMISSION OF VAULT STRUCTURES, INC IS PROHIBITED.	MATERIAL :	DWG. NO. TL15-5220 RS HALF IN	DRAWN BY: SAC	WEIGHT: 1230.23	DATE: 8/18/2015	REV
	GAUGE :	TITLE: TBD	MODEL BY: SAC	SCALE: 1:22	SHEET 1 OF 3	X
	GRAIN :					
	BEND RAD. :					
K-FACTOR :						