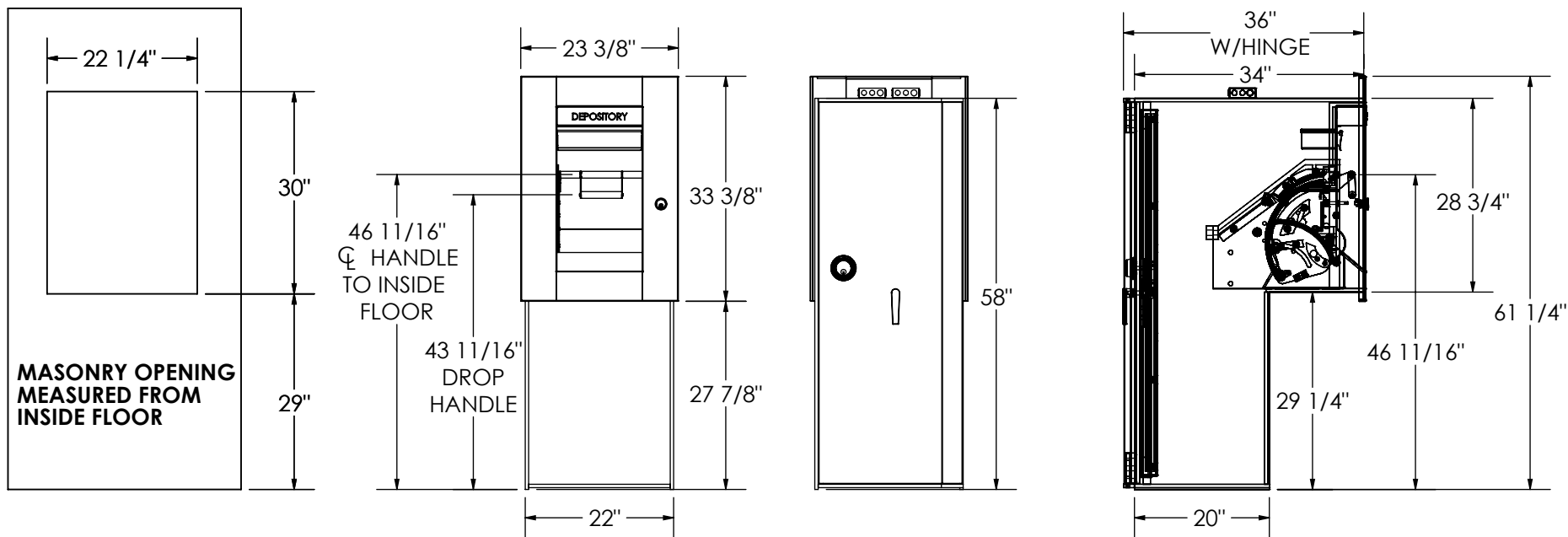
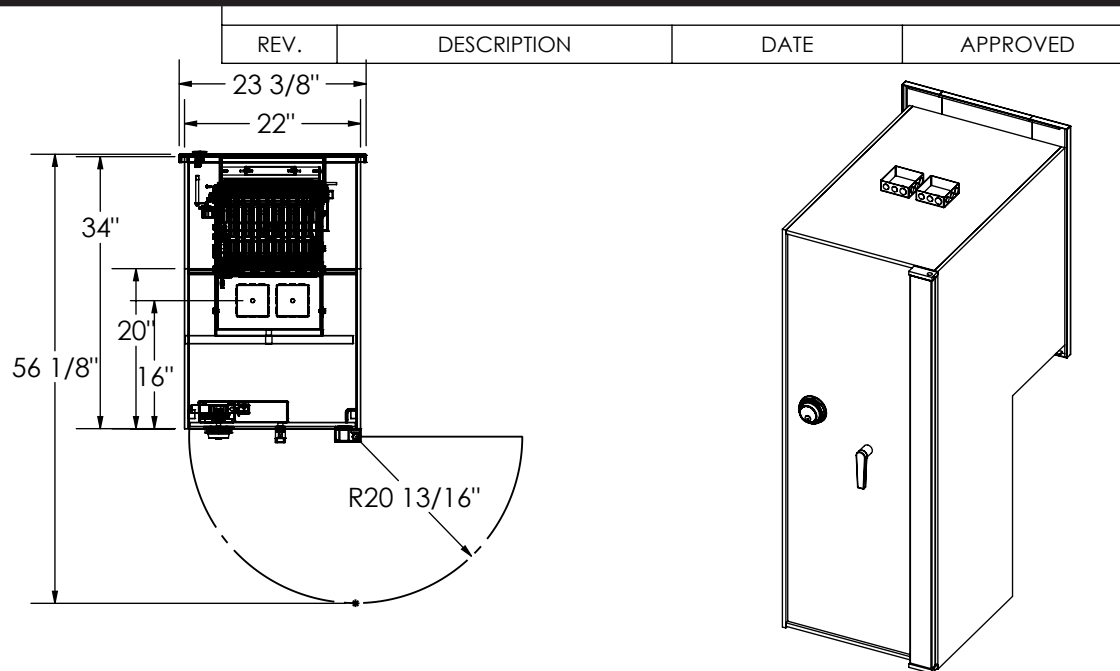


CSE-VSI-TL15-5820 | Night Depository Safe Walk-up
58"H X 22" W X 20"D
HALF INCH STEEL BODY/DOOR
RIGHT SWING
PAINTED BLACK
12" MAX WALL ON ND HEAD

S&G KEY LOCKING COMBO
DOOR CONTACT/THERMOSTAT ALARM KIT
VIBRATION DETECTORS
ADA DEVICE & HANDLE

APPROVED BY: _____

DATE: _____



PROPRIETARY AND CONFIDENTIAL
 THE INFORMATION CONTAINED IN THIS DRAWING IS THE SOLE PROPERTY OF VAULT STRUCTURES, INC. ANY REPRODUCTION IN PART OR AS A WHOLE WITHOUT THE WRITTEN PERMISSION OF VAULT STRUCTURES, INC IS PROHIBITED.

MATERIAL :
 GAUGE :
 GRAIN :
 BEND RAD. :
 K-FACTOR :

DWG. NO. TL15-5820 HALF IN. RS	DRAWN BY: AR	WEIGHT: 1297.58	DATE: 2/23/2018	REV
TITLE:	MODEL BY: SAC	SCALE: 1:24	SHEET 1 OF 1	X