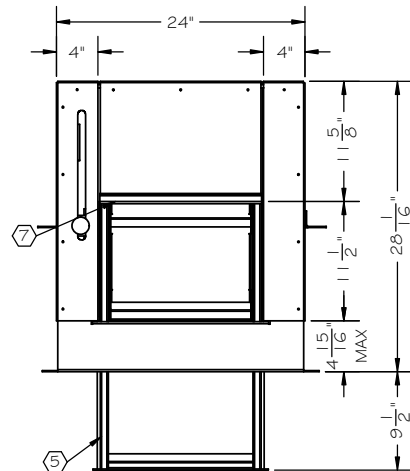


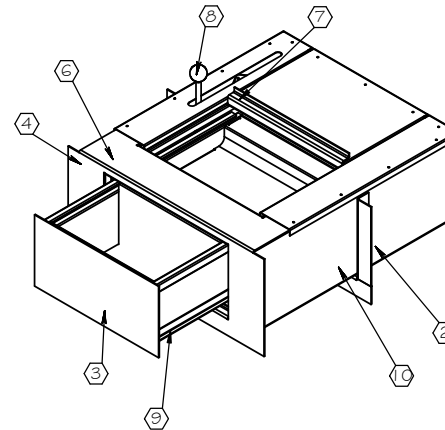
6003 NOTES:

- ① UL LISTED ARMORTEX® BULLET RESISTANT COMPOSITES
- ② 16 GA. PRIME PAINTED STEEL CASE
- ③ STAINLESS STEEL DRAWER FRONT
- ④ STAINLESS STEEL TOP AND FRONT
- ⑤ STAINLESS STEEL DRAWER
- ⑥ STAINLESS STEEL SLIDING DEAL TRAY
- ⑦ STAINLESS STEEL SLIDING DRAWER COVER
- ⑧ STAINLESS STEEL ACTUATING HANDLE
- ⑨ SLIDING DRAWER TRACKS
- ⑩ 3-SIDED ADJUSTABLE MOUNTING FRAME

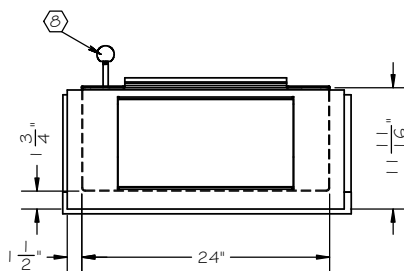
SIZE (CLEAR INSIDE)
 PACKAGE BIN 14"W x 13"D x 7 1/8"H
 SLIDING DEALTRAY 13"W x 12D x 1 3/4"H



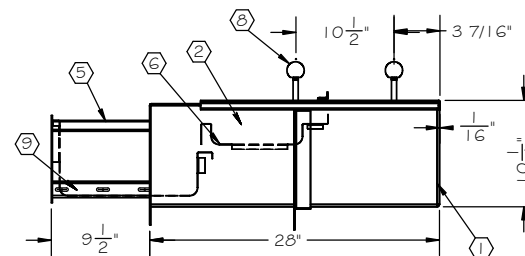
TOP VIEW



ISOMETRIC VIEW



FRONT VIEW
 ()- REQUIRED



SIDE VIEW

APPROVED AS DRAWN APPROVED AS NOTED REJECTED

 X
 SIGNATURE _____ DATE _____



COVENANT
 Security Equipment

PROJECT NO: OXXX

CUSTOMER NAME: CUSTOMER NAME

PROJECT NAME: STOCK ITEM TEMPLATES

DESCRIPTION: 6003 BALLISTIC LEVEL 3

UNLESS OTHERWISE SPECIFIED:
 DIMENSIONS ARE IN INCHES
 TOLERANCES:
 FRACTIONAL: ± 1/16"
 ANGULAR: ± 1°
 TWO PLACE DECIMAL: ± .01
 THREE PLACE DECIMAL: ± .005
 UNLESS OTHERWISE SPECIFIED:
 TOLERANCING REF: ASME Y14.5
 MATERIAL:
 FINISH:
 DO NOT SCALE DRAWING

REVISIONS	
No.	DESCRIPTION

NAME	DATE	SIZE	DWG. NO.
T. MILLER	4/29/19	B	5000
DRAWN	CHECKED	SUBMITAL PACKAGE - T. Drawers	
		SCALE: 1:12	WEIGHT: TBD/TBD
			SHEET 6 OF 7