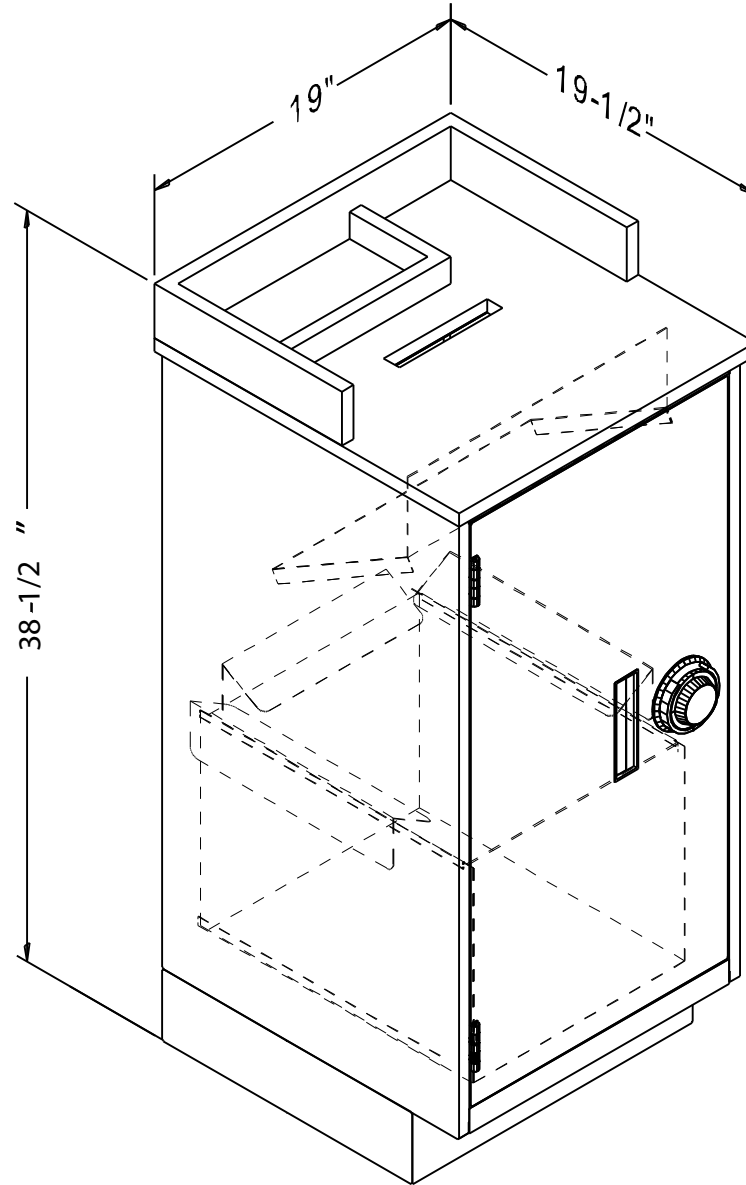


PART NO.: .	TITLE: 200 -19, LOBBY DEPOSITORY	USED BY:	SCALE: NTS	ORDER NO:	PACKAGE SHEET: OF
SHEET: OF:		DATE:	DRN BY: Bolton T. DATE:	CUSTOMER: FENCO	



Last Update: 12/11/07 - Bolton T.



COVENANT
Security Equipment