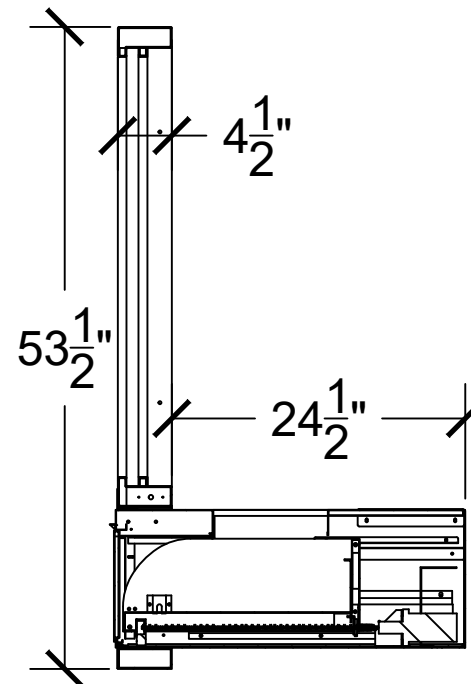


Side View



PLEASE SELECT:

1. FRAMING:

- Aluminum Loaded Aluminum

2. FRAME COLOR:

- Bronze Anodized Clear Anodized

Other: _____

3. GLAZING:

- 1" Insulated 1-1/4" Acrylic - L1
- 3/4" Poly - L1 1-1/4" Acrylic - L3
- 1-1/4" Poly - L3 1-1/4" Acrylic - L3
- Storm Impact Low-E

Other: _____

4. Panel

- Aluminum Panel Mail Slot (Optional)

Key Notes

Unit:

PCJ-130 PHARMACY PACKAGE

Actual Dimension:

60"(W) X 53 ¹/₂"(H)

Rough Opening:

60 ³/₈"(W) X 53 ⁷/₈"(H)

ELECTRIC DRAWER

Engineer Notes

Date drawn: 6/7/2021

Drawn by: Avasquez

File name: PCJ-130 ELECT DRAWER.dwg

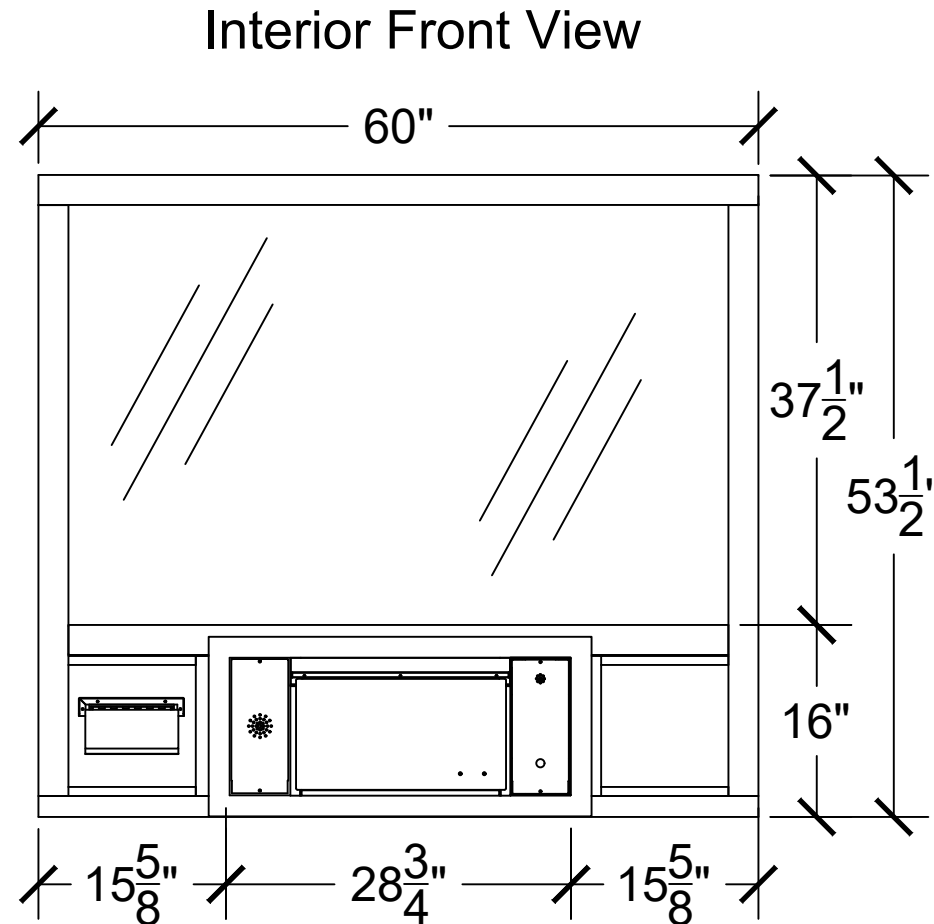
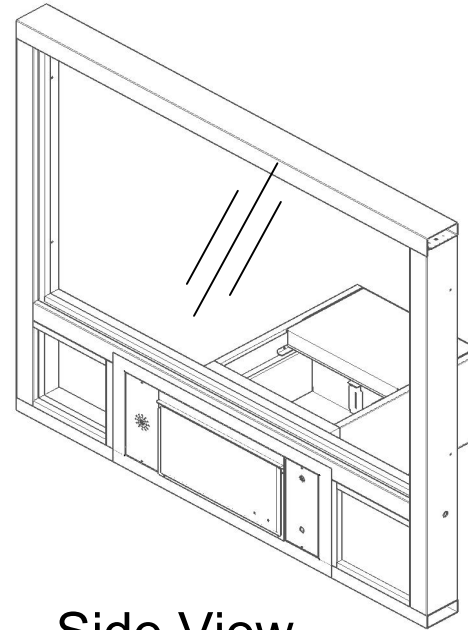
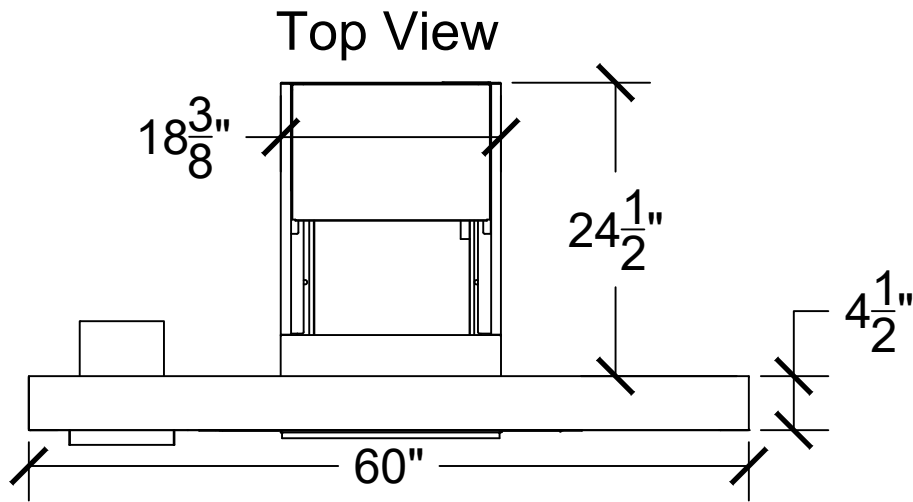
Page: 1 of 1

Scale: 1:16

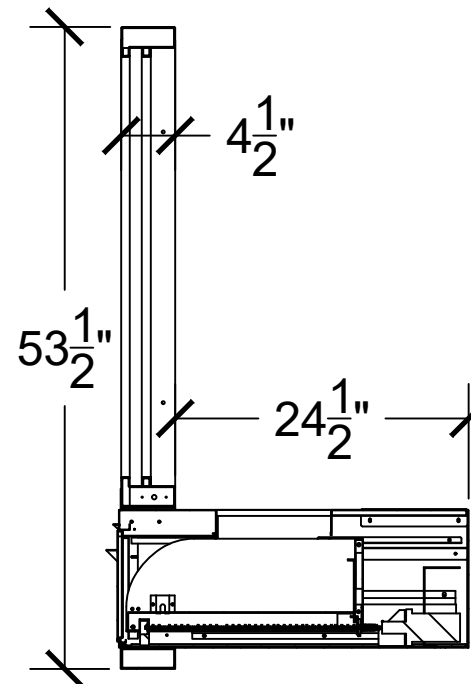
NOTE: THIS DRAWING EMBODIES A CONFIDENTIAL PROPRIETY DESIGN ORIGINATED AND OWNED BY COVENANT SECURITY EQUIPMENT AND IS SUBMITTED UNDER A CONFIDENTIAL RELATIONS ALL PATENT, MANUFACTURING SALES RIGHTS REGARDING THIS SAME ARE RESERVED EXCEPT TO THE EXTENT RIGHTS ARE EXPRESSLY GRANTED TO OTHERS BY THE RECIPIENT. AGREES BY ACCEPTING THIS DRAWING NOT TO SUPPLY OR DISCLOSE ANY INFORMATION REGARDING THEM TO ANY UNAUTHORIZED PERSONAL.

SIGNATURE: _____

DATE: _____



Side View



PLEASE SELECT:

1. FRAMING:

- Aluminum Loaded Aluminum

2. FRAME COLOR:

- Bronze Anodized Clear Anodized

Other: _____

3. GLAZING:

- 1" Insulated 1-1/4" Acrylic - L1
- 3/4" Poly - L1 1-1/4" Acrylic - L3
- 1-1/4" Poly - L3 1-1/4" Acrylic - L3
- Storm Impact Low-E

Other: _____

4. Panel

- Aluminum Panel Mail Slot (Optional)

Key Notes

Unit:

PCJ-130 PHARMACY PACKAGE

Actual Dimension:

60"(W) X 53 ¹/₂"(H)

Rough Opening:

60 ³/₈"(W) X 53 ⁷/₈"(H)

ELECTRIC DRAWER

Engineer Notes

Date drawn: 6/7/2021

Drawn by: Avasquez

File name: PCJ-130 ELC DWR W GT DRP.dwg

Page: 1 of 1

Scale: 1:16

NOTE: THIS DRAWING EMBODIES A CONFIDENTIAL PROPRIETY DESIGN ORIGINATED AND OWNED BY COVENANT SECURITY EQUIPMENT AND IS SUBMITTED UNDER A CONFIDENTIAL RELATIONS ALL PATENT, MANUFACTURING SALES RIGHTS REGARDING THIS ARE RESERVED EXCEPT TO THE EXTENT RIGHTS ARE EXPRESSLY GRANTED TO OTHERS BY THE RECIPIENT. AGREES BY ACCEPTING THIS DRAWING NOT TO SUPPLY OR DISCLOSE ANY INFORMATION REGARDING THEM TO ANY UNAUTHORIZED PERSONAL.

SIGNATURE: _____

DATE: _____