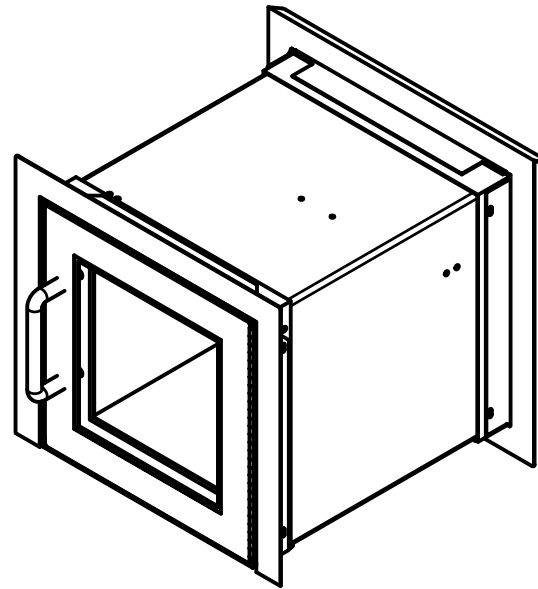
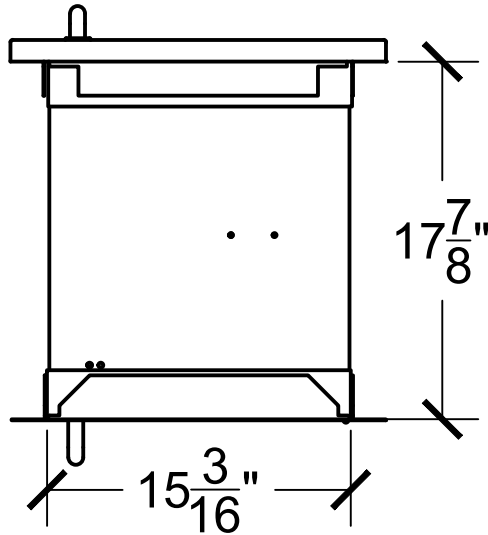




Top View



Key Notes

Unit:

PR-1515 CLEAR DOOR

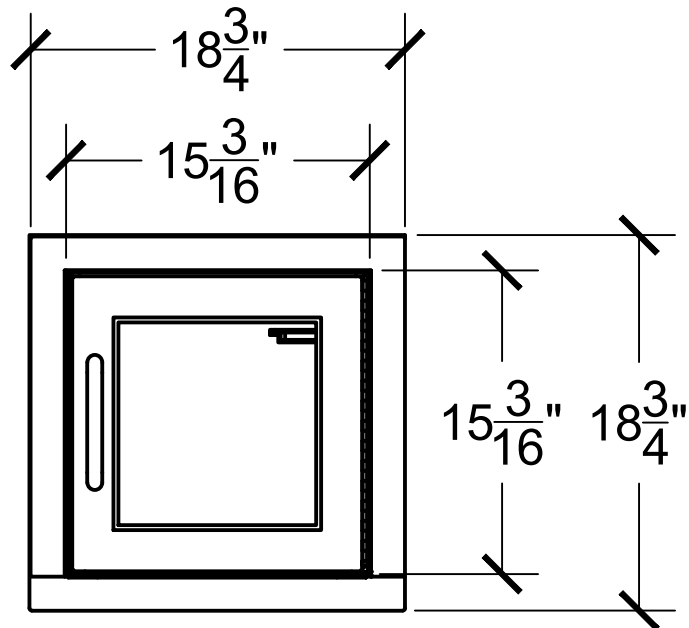
Actual Dimension:

15³/₁₆"(W) X 15³/₁₆"(H) X 17⁷/₈"(L)

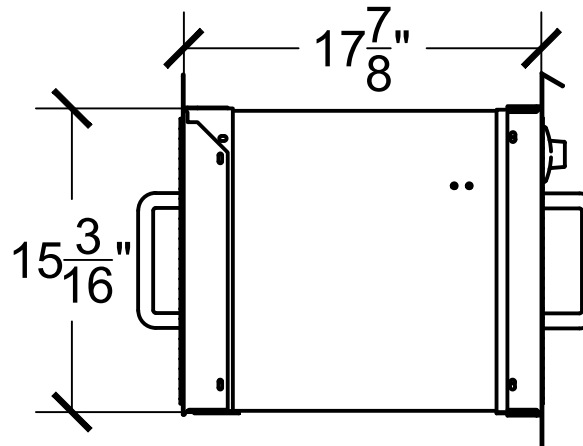
Rough Opening:

15⁹/₁₆"(W) X 15⁹/₁₆"(H)

Interior Front View



Side View



Engineer Notes

Date drawn: 5/27/2021

Drawn by: Avasquez

File name: PR-1515 GLASS DOOR.dwg

Page: 1 of 1

Scale: 1:10

NOTE: THIS DRAWING EMBODIES A CONFIDENTIAL PROPRIETY DESIGN ORIGINATED AND OWNED BY COVENANT SECURITY EQUIPMENT, AND IS SUBMITTED UNDER A CONFIDENTIAL RELATIONS ALL PATENT, MANUFACTURING, SALE RIGHTS REGARDING THE SAME ARE RESERVED EXCEPT TO THE EXTENT RIGHTS ARE EXPRESSLY GRANTED TO OTHERS. THE RECIPIENT AGREES BY ACCEPTING THESE DRAWINGS NOT TO SUPPLY OR DISCLOSE ANY INFORMATION REGARDING THEM TO ANY UNAUTHORIZED PERSONAL.

SIGNATURE: _____

DATE: _____