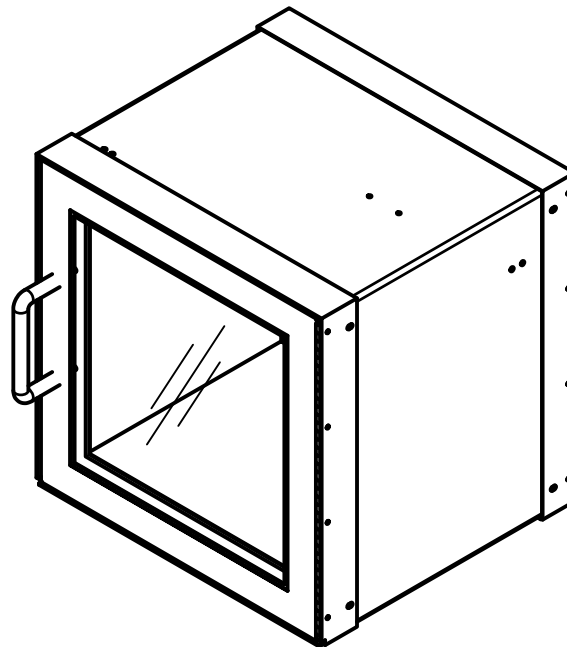
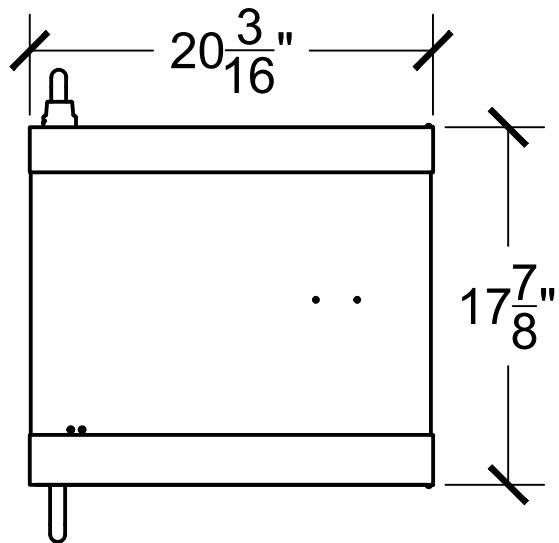


Top View



**COVENANT**  
Security Equipment

**PLEASE SELECT:**

**1. GLAZING:**

- 1-1/4" Acrylic - L3

**Key Notes**

**Unit:**

Package Receiver - 2020  
With Glass Door

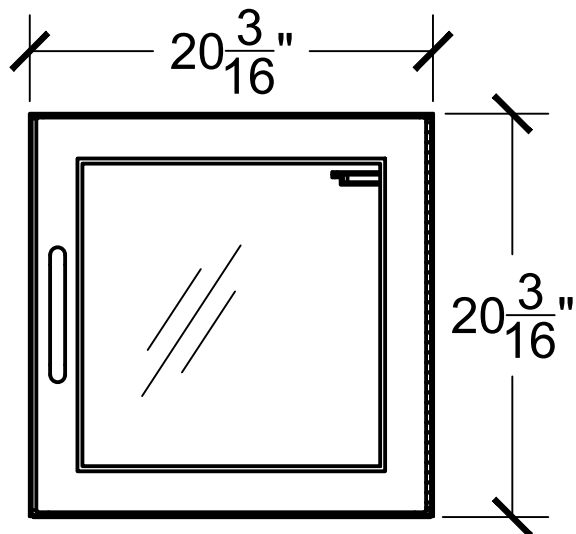
**Actual Dimension:**

$20\frac{3}{16}$ "(H) X  $20\frac{3}{16}$ "(W)

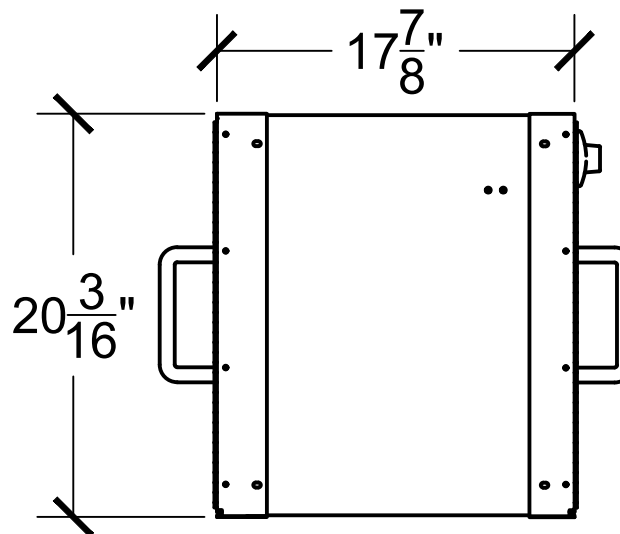
**Rough Opening:**

$20\frac{9}{16}$ "(H) X  $20\frac{9}{16}$ "(W)

Interior Front View



Side View



**Engineer Notes**

Date drawn: 4/30/2020

Drawn by: Avasquez

File name: PR-2020 GLASS DOOR.dwg

Page: 1 of 1

Scale: 1:10

NOTE: THIS DRAWING EMBODIES A CONFIDENTIAL PROPRIETY DESIGN ORIGINATED AND OWNED BY COVENANT SECURITY EQUIPMENT, AND IS SUBMITTED UNDER A CONFIDENTIAL RELATIONS ALL PATENT, MANUFACTURING, SALE RIGHTS REGARDING THE SAME ARE RESERVED EXCEPT TO THE EXTENT RIGHTS ARE EXPRESSLY GRANTED TO OTHERS. THE RECIPIENT AGREES BY ACCEPTING THESE DRAWINGS NOT TO SUPPLY OR DISCLOSE ANY INFORMATION REGARDING THEM TO ANY UNAUTHORIZED PERSONAL.

SIGNATURE: \_\_\_\_\_

DATE: \_\_\_\_\_