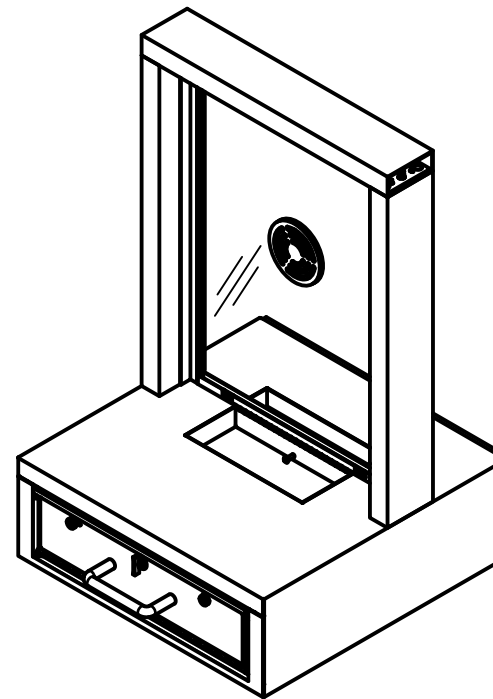
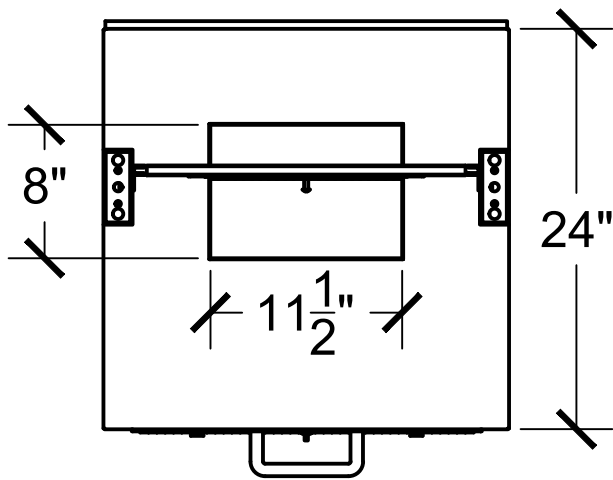
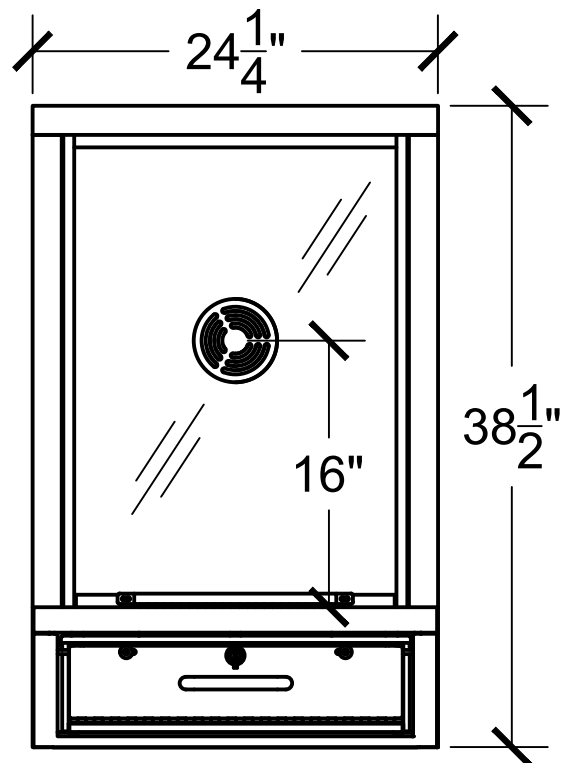




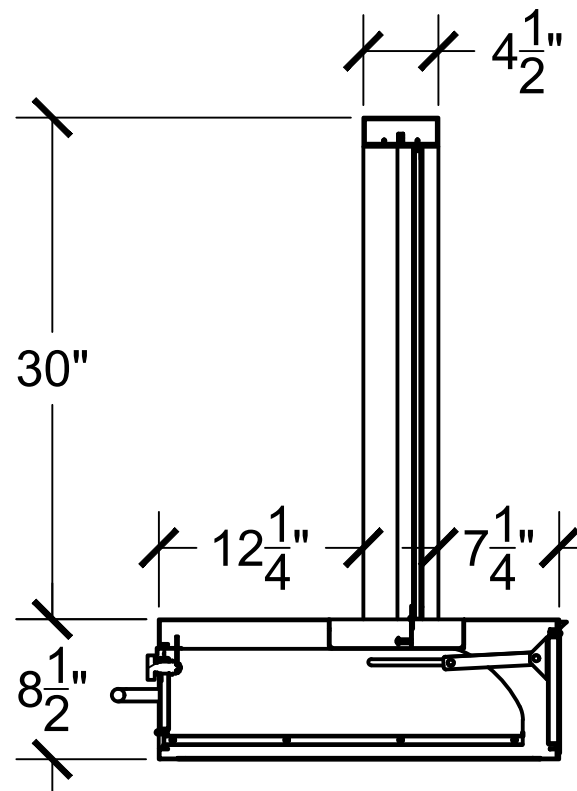
**TOP VIEW**



**INTERIOR FRONT VIEW**



**SIDE VIEW**



**PLEASE SELECT:**

**1. FRAMING:**

- Aluminum  Loaded Frame

**2. FRAME COLOR:**

- Bronze Anodized  Clear Anodized

Other: \_\_\_\_\_

**3. GLAZING:**

- 1/4" Tempered  1" Insulated  
 3/4" Poly - L1  1-1/4" Acrylic - L1  
 1-1/4" Poly - L3  1-1/4" Acrylic - L3  
 Storm Impact Low-E

Other: \_\_\_\_\_

**4. DEAL TRAY TYPE:**

- BR - Square

**5. SPEAKER:**

- 6" BR Speak-Thru (L3)  
 5" Non-BR Speak Plate  
 SC-100 Amplified  SC-100L Amplified  
 Speak Around

**Key Notes**

**Unit:**

PIZZA DRAWER

**Actual Dimension:**

24 1/4"(W) X 38 1/2"(H) X 24"(L)

**Rough Opening:**

24 5/8"(W) X 38 7/8"(H)

**Engineer Notes**

**Date drawn:** 5/19/20

**Drawn by:** Avasquez

**File name:** Pizza Drawer Cov.dwg

**Page:** 1 of 1

**Scale:** 1:12

NOTE: THIS DRAWING EMBODIES A CONFIDENTIAL PROPRIETY DESIGN ORIGINATED AND OWNED BY COVENANT SECURITY EQUIPMENT SUBMITTED UNDER A CONFIDENTIAL RELATIONS ALL PATENT, MANUFACTURING, SALE RIGHTS REGARDING THE SAME ARE RESERVED EXCEPT TO THE EXTENT RIGHTS ARE EXPRESSLY GRANTED TO OTHERS. THE RECIPIENT AGREES BY ACCEPTING HIP. THESE DRAWINGS NOT TO SUPPLY OR DISCLOSE ANY INFORMATION REGARDING THEM TO ANY UNAUTHORIZED PERSON.

**SIGNATURE:** \_\_\_\_\_

**DATE:** \_\_\_\_\_