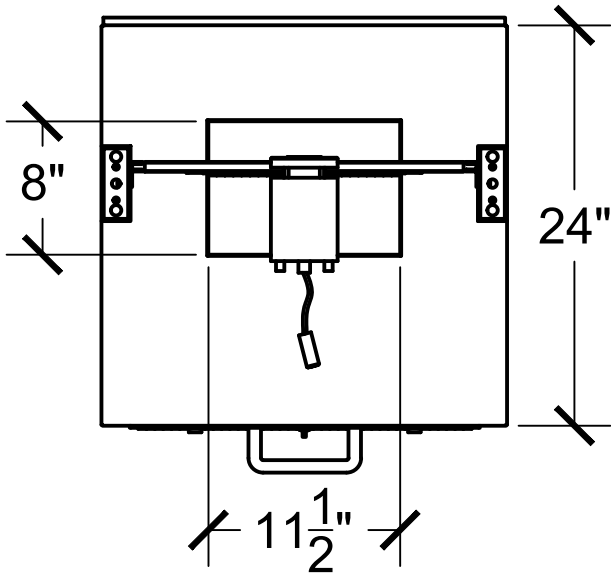
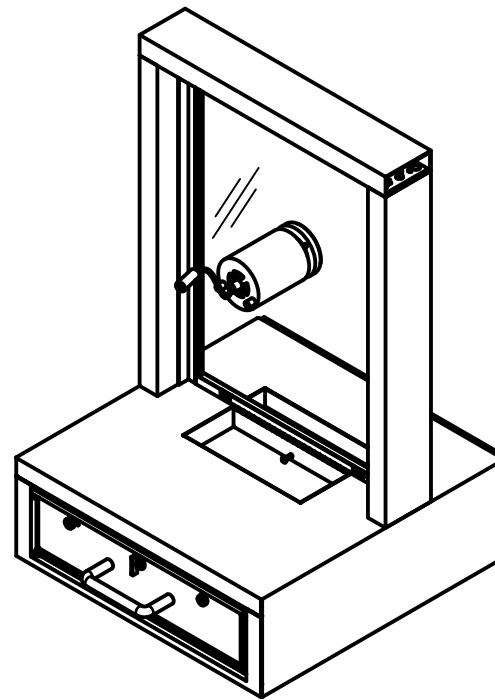
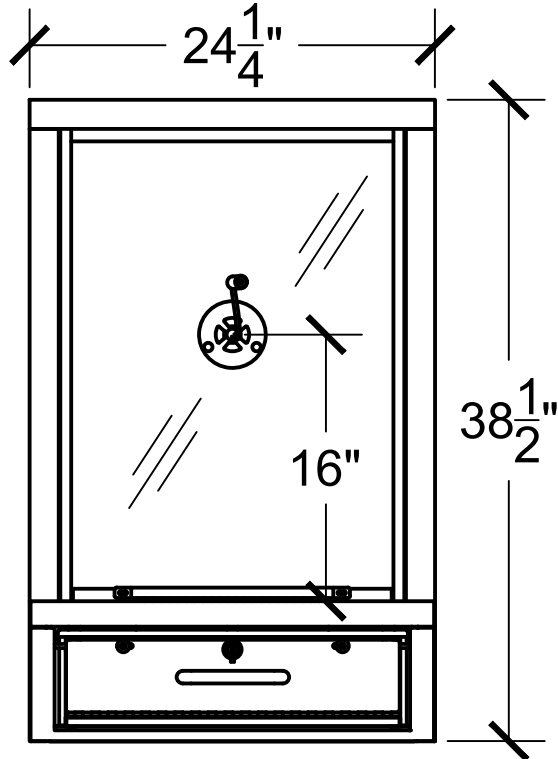


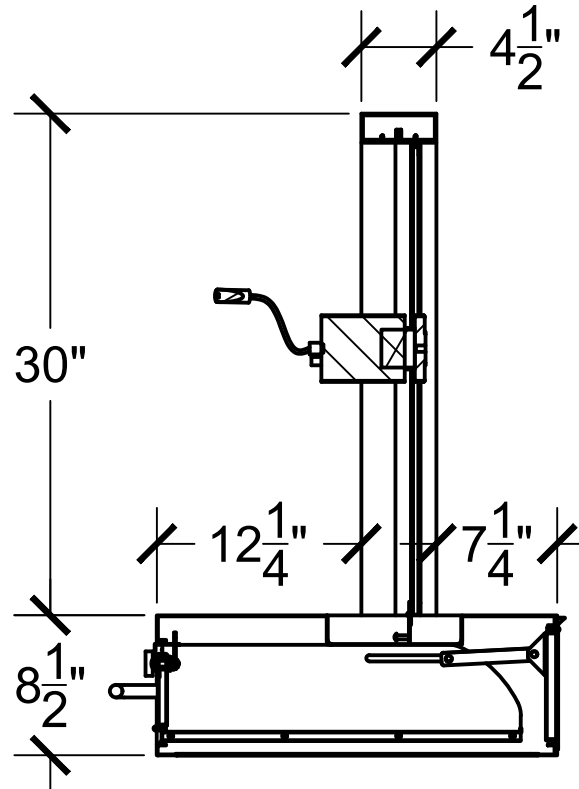
TOP VIEW



INTERIOR FRONT VIEW



SIDE VIEW



COVENANT
Security Equipment

PLEASE SELECT:

1. FRAMING:

- Aluminum
- UL Rated Alum

2. FRAME COLOR:

- Bronze Anodized
- Clear Anodized

Other: _____

3. GLAZING:

- 1/4" Tempered
- 1" Insulated
- 3/4" Poly - L1
- 1-1/4" Acrylic - L1
- 1-1/4" Poly - L3
- 1-1/4" Acrylic - L3
- Storm Impact Low-E

Other: _____

4. DEAL TRAY TYPE:

- BR - Square

5. SPEAKER:

- 6" BR Speak-Thru (L3)
- 5" Non-BR Speak Plate
- SC-100 Amplified
- SC-100L Amplified
- Speak Around

Key Notes

Unit:

PIZZA DRAWER

Actual Dimension:

24 1/4"(W) X 38 1/2"(H) X 24"(L)

Rough Opening:

24 5/8"(W) X 38 7/8"(H)

Engineer Notes

Date drawn: 5/19/20

Drawn by: Avasquez

File name: Pizza Drawer W Amp Cov.dwg

Page: 1 of 1

Scale: 1:12

NOTE: THIS DRAWING EMBODIES A CONFIDENTIAL PROPRIETY DESIGN ORIGINATED AND OWNED BY COVENANT SECURITY EQUIPMENT SUBMITTED UNDER A CONFIDENTIAL RELATIONS ALL PATENT, MANUFACTURING, SALE RIGHTS REGARDING THE SAME ARE RESERVED EXCEPT TO THE EXTENT RIGHTS ARE EXPRESSLY GRANTED TO OTHERS. THE RECIPIENT AGREES BY ACCEPTING HIP. THESE DRAWINGS NOT TO SUPPLY OR DISCLOSE ANY INFORMATION REGARDING THEM TO ANY UNAUTHORIZED PERSON.

SIGNATURE: _____

DATE: _____