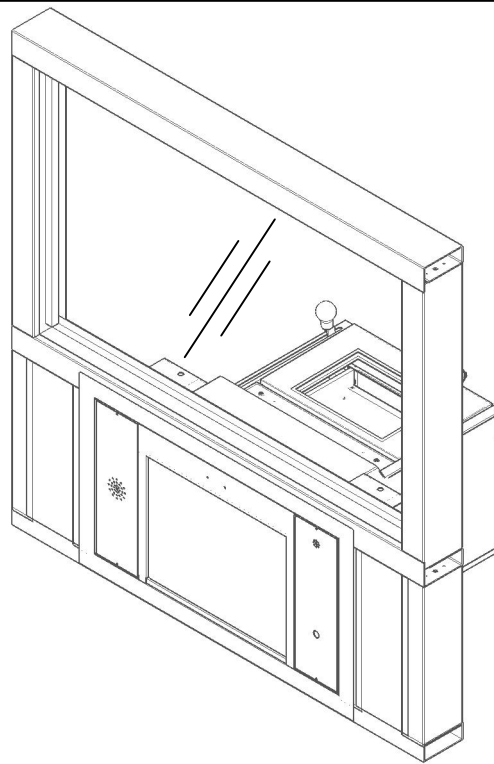
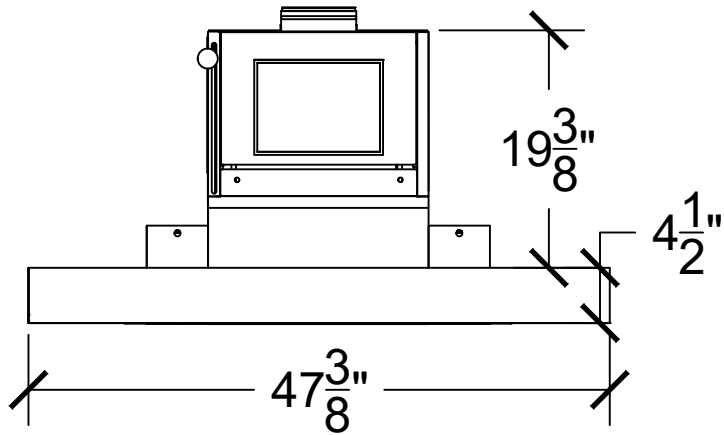


Top View



COVENANT
Security Equipment

PLEASE SELECT:

1. FRAMING:

- Aluminum Loaded Aluminum

2. FRAME COLOR:

- Bronze Anodized Clear Anodized

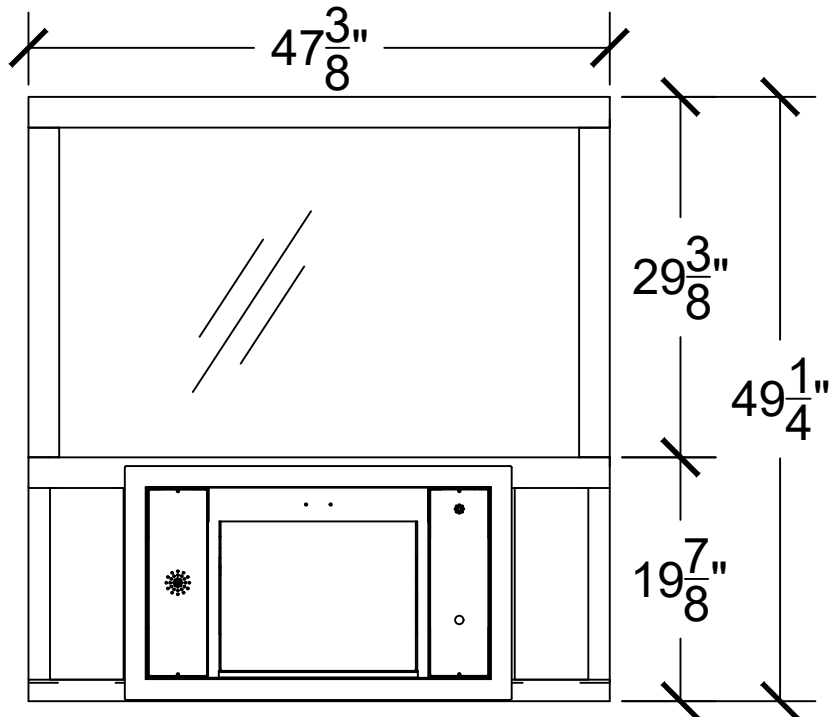
Other: _____

3. GLAZING:

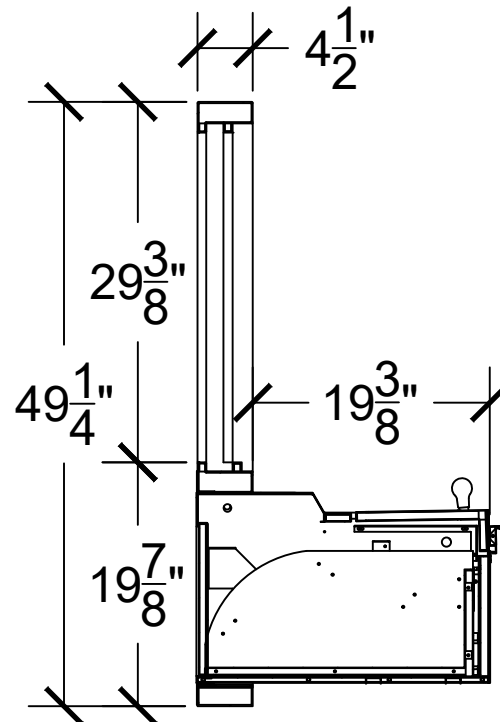
- 1" Insulated 1-1/4" Acrylic - L1
 3/4" Poly - L1 1-1/4" Acrylic - L3
 1-1/4" Poly - L3 1-1/4" Acrylic - L3
 Storm Impact Low-E

Other: _____

Exterior Back View



Side View



Key Notes

Unit:

CUSTOM QSB-12 MINI COMBO

Actual Dimension:

47-3/8"(W) x 49-1/4"(H)

Rough Opening:

47-3/4"(W) x 49-5/8"(H)

Engineer Notes

Date drawn:6/30/2021

Drawn by:Avasquez

File name:QSB-12 MINI 47 49.dwg

Page: 1 of 1

Scale:1:16

NOTE: THIS DRAWING EMBODIES A CONFIDENTIAL PROPRIETY DESIGN ORIGINATED AND OWNED BY COVENANT SECURITY EQUIPMENTS, AND IS SUBMITTED UNDER A CONFIDENTIAL RELATIONS ALL PATENT, MANUFACTURING, SALE RIGHTS REGARDING THE SAME ARE RESERVED EXCEPT TO THE EXTENT RIGHTS ARE EXPRESSLY GRANTED TO OTHERS. THE RECIPIENT AGREES BY ACCEPTING THESE DRAWINGS NOT TO SUPPLY OR DISCLOSE ANY INFORMATION REGARDING THEM TO ANY UNAUTHORIZED PERSONAL.

SIGNATURE: _____

DATE: _____