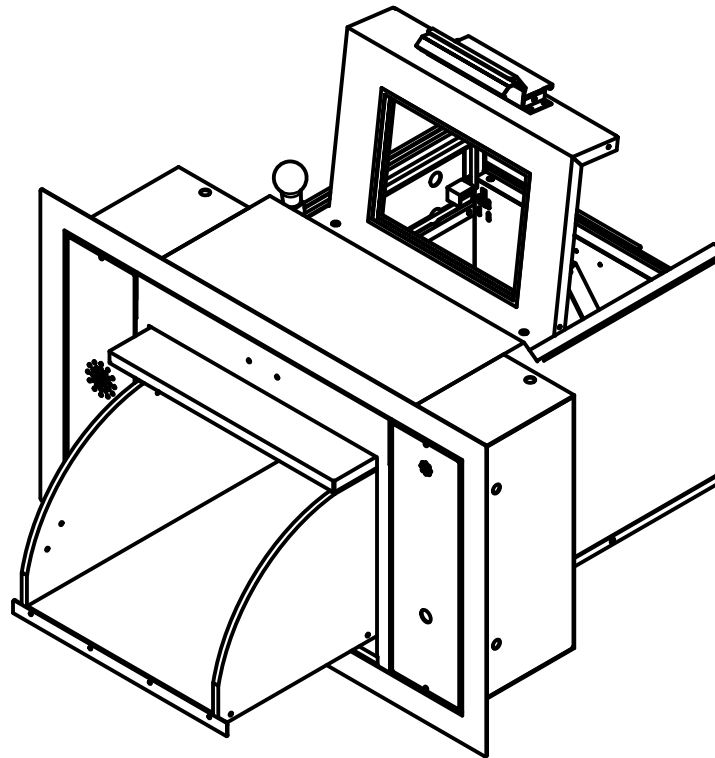
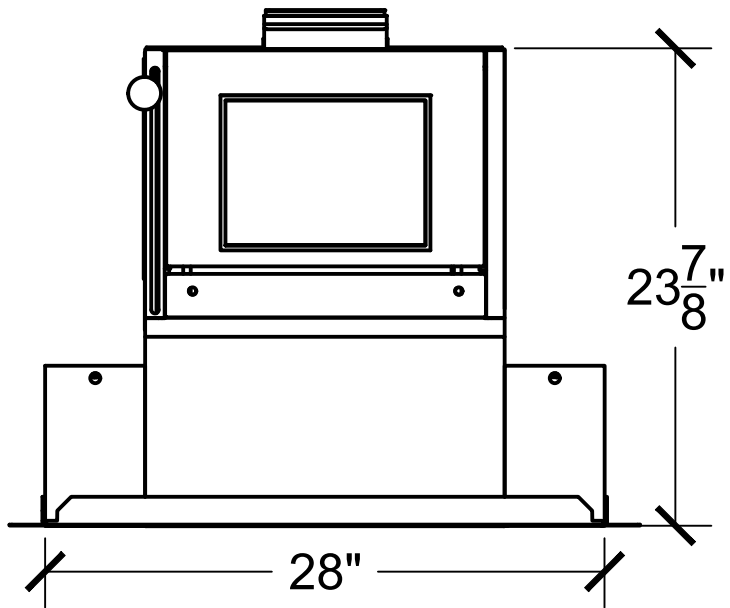


Top View



**COVENANT**  
Security Equipment

**Key Notes**

**Unit:**

QSB-12S With Flange

**Actual Dimension Without Flange:**

28"(W) X 15 $\frac{1}{2}$ "(H) X 23 $\frac{7}{8}$ "(L)

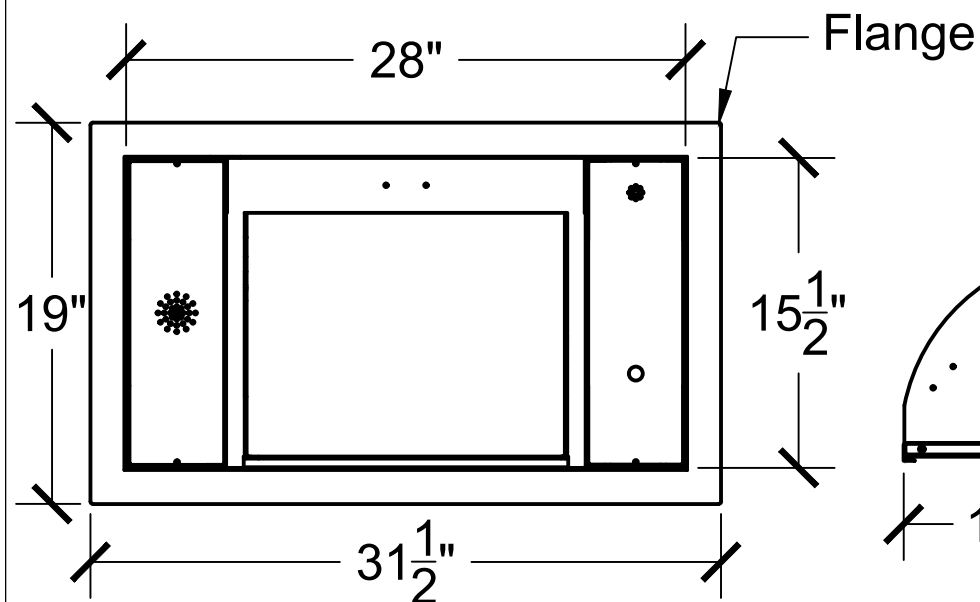
**Rough Opening:**

28 $\frac{3}{8}$ "(W) X 15 $\frac{7}{8}$ "(H)

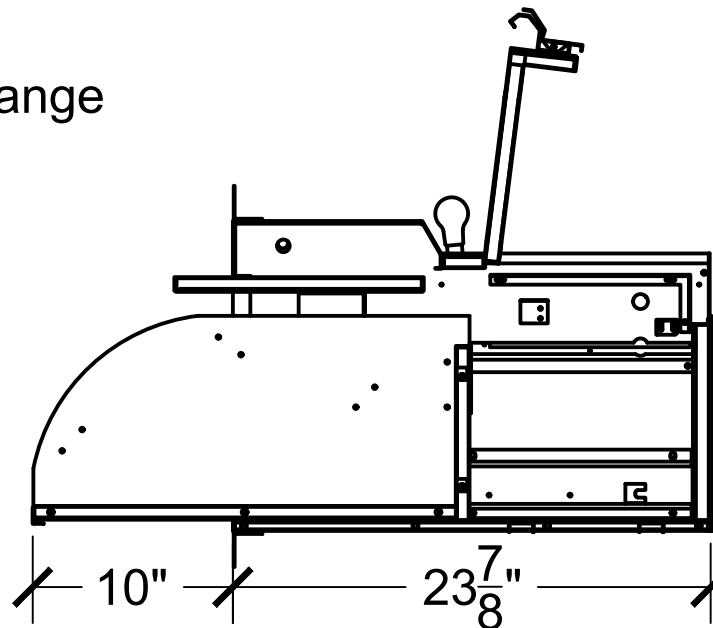
**Service Opening:**

13"(W) X 12"(H) X 21"(L)

Exterior Back View



Side View



**Engineer Notes**

Date drawn: 6/26/2020

Drawn by: Avasquez

File name: QSB-12S.dwg

Page: 1 of 1

Scale: 1:10

NOTE: THIS DRAWING EMBODIES A CONFIDENTIAL PROPRIETY DESIGN ORIGINATED AND OWNED BY COVENANT SECURITY EQUIPMENT, AND IS SUBMITTED UNDER A CONFIDENTIAL RELATIONS ALL PATENT, MANUFACTURING, SALE RIGHTS REGARDING THE SAME ARE RESERVED EXCEPT TO THE EXTENT RIGHTS ARE EXPRESSLY GRANTED TO OTHERS. THE RECIPIENT AGREES BY ACCEPTING THESE DRAWINGS NOT TO SUPPLY OR DISCLOSE ANY INFORMATION REGARDING THEM TO ANY UNAUTHORIZED PERSONAL.

SIGNATURE: \_\_\_\_\_

DATE: \_\_\_\_\_