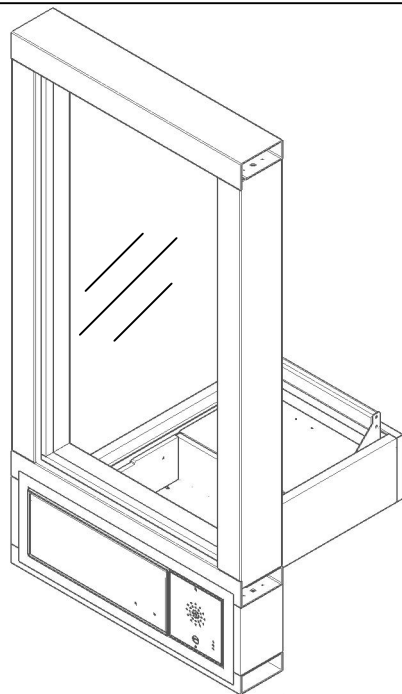
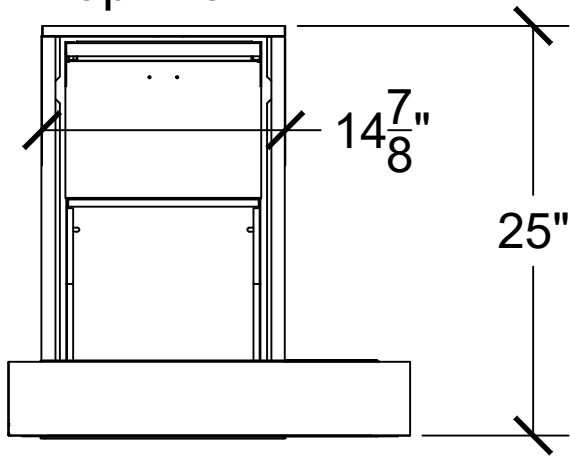
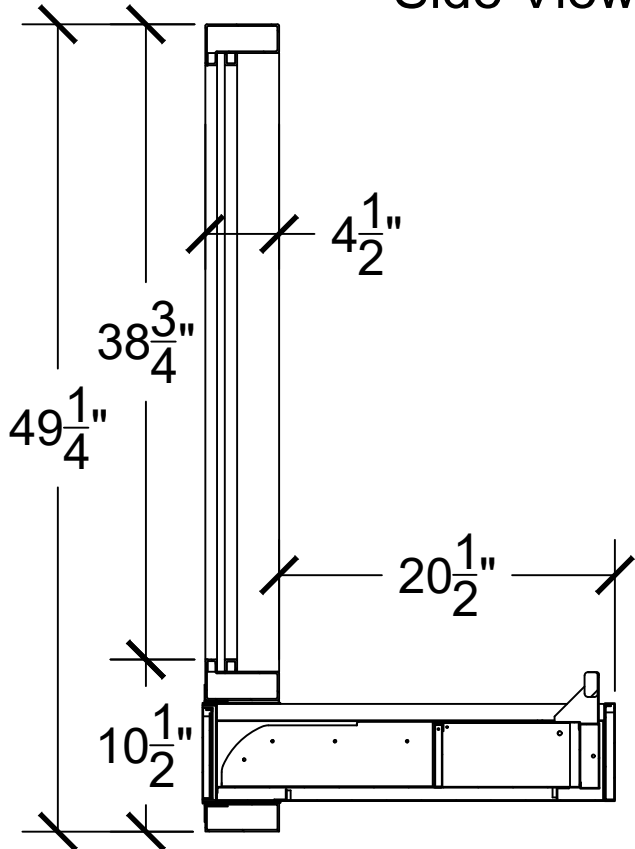
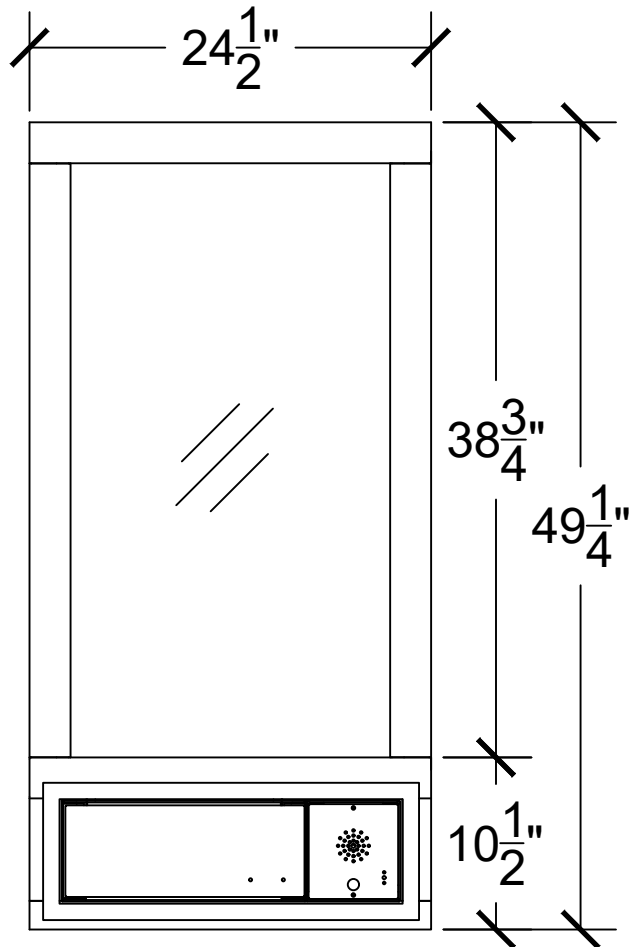


Top View



Side View

Exterior Back View



COVENANT
Security Equipment

PLEASE SELECT:

- 1. FRAMING:**
 Aluminum Loaded Aluminum
- 2. FRAME COLOR:**
 Bronze Anodized Clear Anodized
 Other: _____
- 3. GLAZING:**
 1/4" Tempered 1" Insulated
 3/4" Poly - L1 1-1/4" Acrylic - L1
 1-1/4" Poly - L3 1-1/4" Acrylic - L3
 Storm Impact Low-E
 Other: _____

Key Notes

Unit:
CUSTOM QST-619 MINI COMBO

Actual Dimension:
24-1/2"(W) X 49-1/4"(H)

Rough Opening:
24-7/8"(W) X 49-5/8"(H)

Service Opening:
10 ¹/₂"(W) X 3 ⁷/₈"(H) X 13 ¹/₈"(D)

Engineer Notes

Date drawn: 6/29/2021
 Drawn by: Avasquez
 File name: QST-619S MINI 24 49.dwg

Page: 1 of 1 Scale: 1":1'

NOTE: THIS DRAWING EMBODIES A CONFIDENTIAL PROPRIETY DESIGN ORIGINATED AND OWNED BY COVENANT SECURITY EQUIPMENT AND IS SUBMITTED UNDER A CONFIDENTIAL RELATIONS ALL PATENT, MANUFACTURING SALES RIGHTS REGARDING THE SAME ARE RESERVED EXCEPT TO THE EXTENT RIGHTS ARE EXPRESSLY GRANTED TO OTHERS. THE RECIPIENT AGREES BY ACCEPTING THESE DRAWINGS NOT TO SUPPLY OR DISCLOSE ANY INFORMATION REGARDING THEM TO ANY UNAUTHORIZED PERSONAL.

SIGNATURE: _____
 DATE: _____