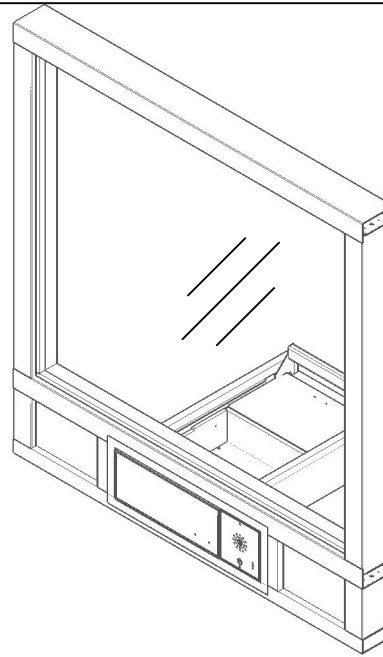
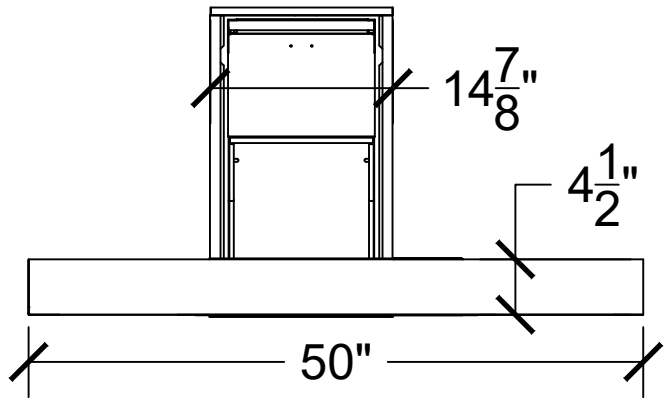
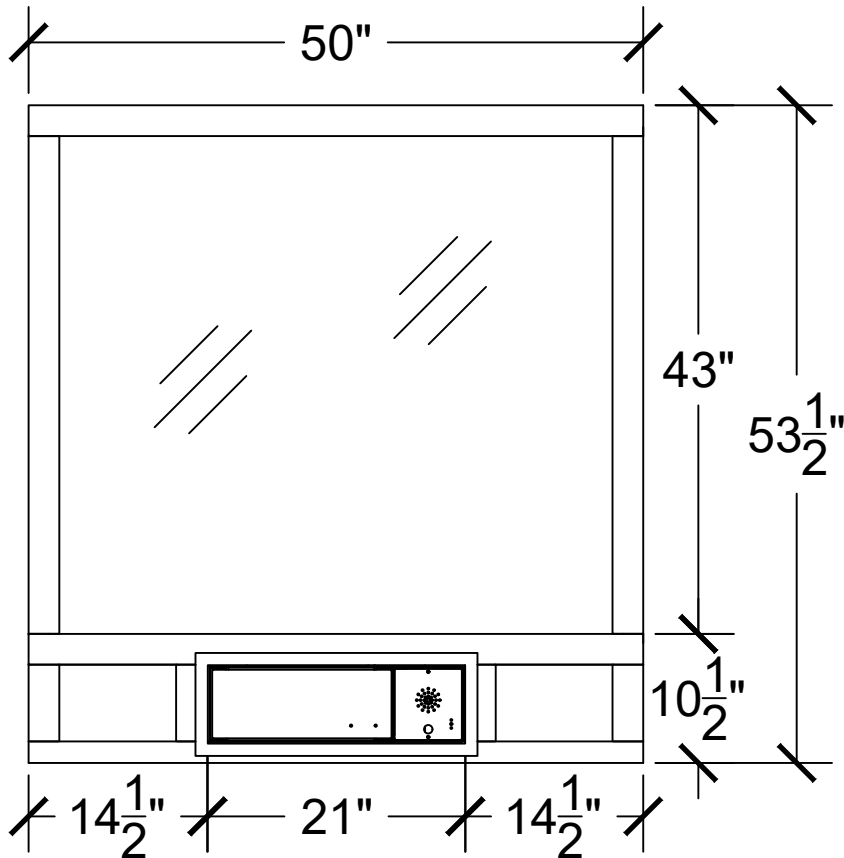


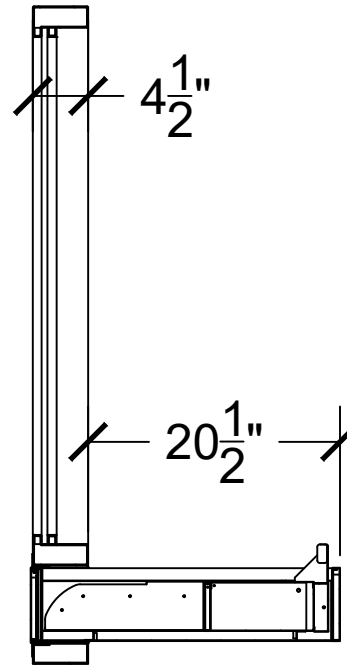
# Top View



# Exterior Back View



# Side View



**COVENANT**  
Security Equipment

### PLEASE SELECT:

- 1. FRAMING:**  
 Aluminum  Loaded Aluminum
- 2. FRAME COLOR:**  
 Bronze Anodized  Clear Anodized  
 Other: \_\_\_\_\_
- 3. GLAZING:**  
 1/4" Tempered  1" Insulated  
 3/4" Poly - L1  1-1/4" Acrylic - L1  
 1-1/4" Poly - L3  1-1/4" Acrylic - L3  
 Storm Impact Low-E  
 Other: \_\_\_\_\_

### Key Notes

**Unit:**  
CUSTOM QST-619 MINI COMBO

**Actual Dimension:**  
50"(W) X 53-1/2"(H)

**Rough Opening:**  
50-3/8"(W) X 53-7/8"(H)

**Service Opening:**  
10 <sup>1</sup>/<sub>2</sub>"(W) X 3 <sup>7</sup>/<sub>8</sub>"(H) X 13 <sup>1</sup>/<sub>8</sub>"(D)

### Engineer Notes

**Date drawn:**6/29/2021  
**Drawn by:**Avasquez  
**File name:**QST-619S MINI 50 53.dwg

**Page:** 1 of 1 **Scale:** 1:16

NOTE: THIS DRAWING EMBODIES A CONFIDENTIAL PROPRIETY DESIGN ORIGINATED AND OWNED BY COVENANT SECURITY EQUIPMENT, AND IS SUBMITTED UNDER A CONFIDENTIAL RELATIONS ALL PATENT, MANUFACTURING, SALE RIGHTS REGARDING THE SAME ARE RESERVED EXCEPT TO THE EXTENT RIGHTS ARE EXPRESSLY GRANTED TO OTHERS. THE RECIPIENT AGREES BY ACCEPTING THESE DRAWINGS NOT TO SUPPLY OR DISCLOSE ANY INFORMATION REGARDING THEM TO ANY UNAUTHORIZED PERSONAL.

**SIGNATURE:** \_\_\_\_\_

**DATE:** \_\_\_\_\_