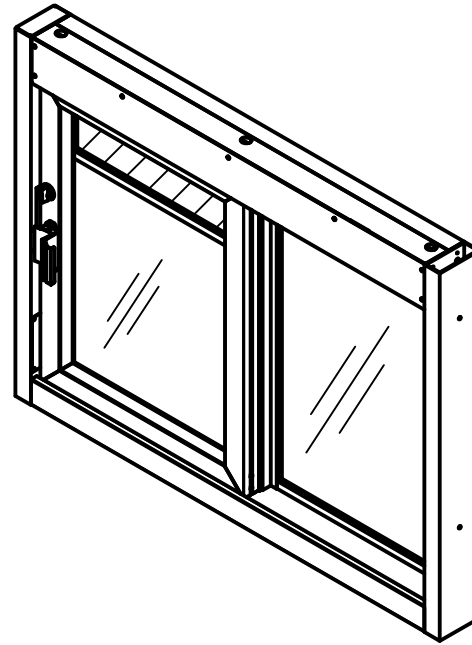
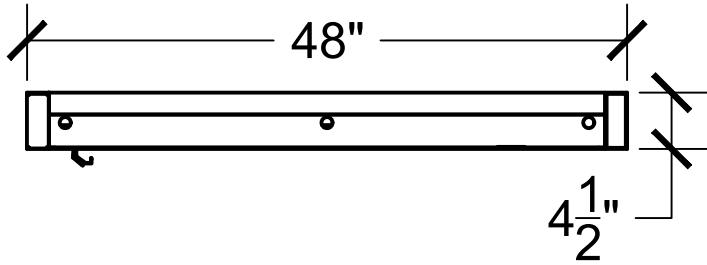


Top View



PLEASE SELECT:

1. FRAMING:

- Aluminum
- Loaded Aluminum

2. FRAME COLOR:

- Bronze Anodized
- Clear Anodized

Other: _____

3. GLAZING:

- 1/4" Tempered
- 1" Insulated
- 3/4" Poly - L1
- 1-1/4" Acrylic - L1
- 1-1/4" Poly - L3
- 1-1/4" Acrylic - L3

- Storm Impact Low-E

Other: _____

Key Notes

Unit:

SC-4030 (LEFT)
WITH CALIFORNIA PANEL

Actual Dimension:

48"(W) x 36"(H)

Rough Opening:

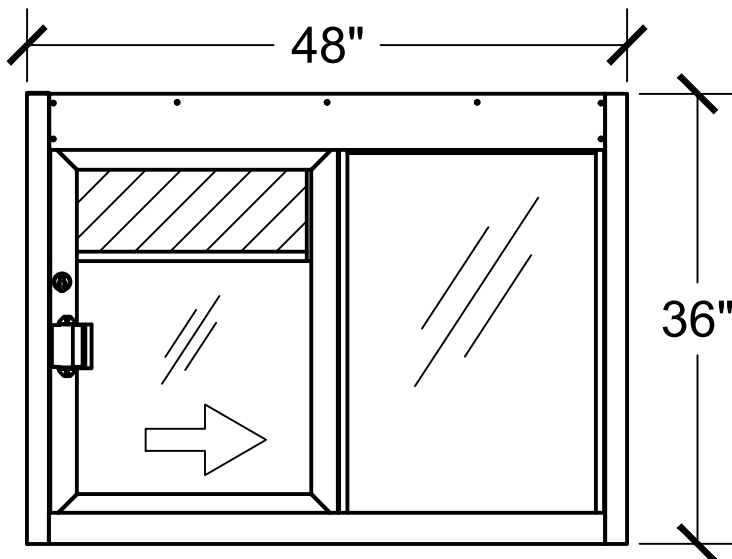
48³/₈"(W) x 36³/₈"(H)

Service Opening:

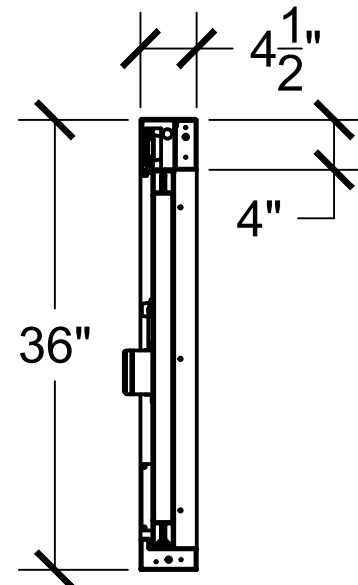
20¹/₄"(W) x 21"(H)

CALIFORNIA 432 SQ IN OPENING

Interior Front View



Side View



Engineer Notes

Date drawn: 1/21/2021

Drawn by: Avasquez

File name: SC-4030 CALI 432.dwg

Page: 1 of 1

Scale: 1:16

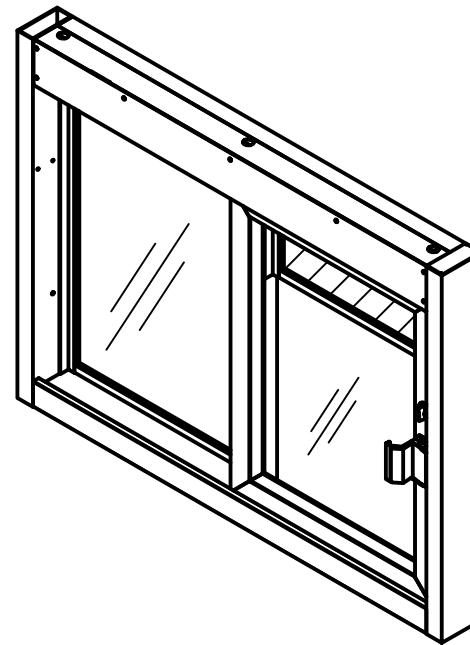
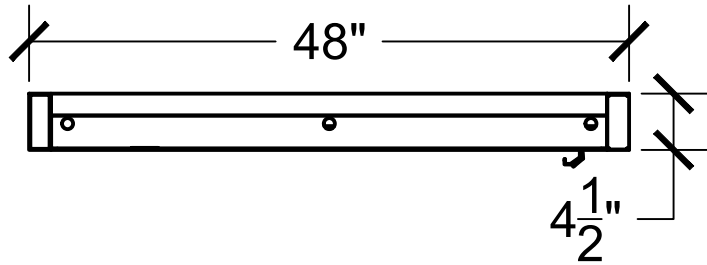
NOTE: THIS DRAWING EMBODIES A CONFIDENTIAL PROPRIETY DESIGN ORIGINATED AND OWNED BY COVENANT SECURITY EQUIPMENT, AND IS SUBMITTED UNDER A CONFIDENTIAL RELATIONS ALL PATENT, MANUFACTURING, SALE RIGHTS REGARDING THE SAME ARE RESERVED EXCEPT TO THE EXTENT RIGHTS ARE EXPRESSLY GRANTED TO OTHERS. THE RECIPIENT AGREES BY ACCEPTING THESE DRAWINGS NOT TO SUPPLY OR DISCLOSE ANY INFORMATION REGARDING THEM TO ANY UNAUTHORIZED PERSONAL.

SIGNATURE: _____

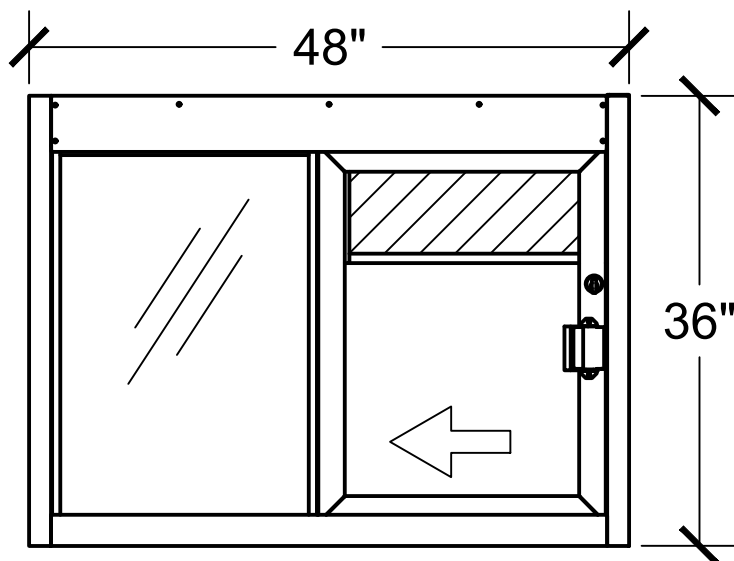
DATE: _____



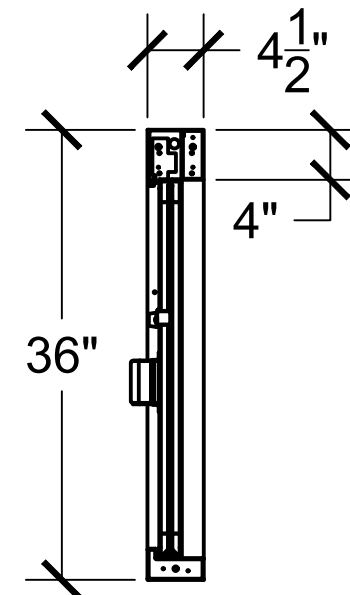
Top View



Interior Front View



Side View



PLEASE SELECT:

1. FRAMING:

- Aluminum
- Loaded Aluminum

2. FRAME COLOR:

- Bronze Anodized
- Clear Anodized

Other: _____

3. GLAZING:

- 1/4" Tempered
- 1" Insulated
- 3/4" Poly - L1
- 1-1/4" Acrylic - L1
- 1-1/4" Poly - L3
- 1-1/4" Acrylic - L3

- Storm Impact Low-E

Other: _____

Key Notes

Unit:

SC-4030 (RIGHT)
WITH CALIFORNIA PANEL

Actual Dimension:

48"(W) x 36"(H)

Rough Opening:

48³/₈"(W) x 36³/₈"(H)

Service Opening:

20¹/₄"(W) x 21"(H)

CALIFORNIA 432 SQ IN OPENING

Engineer Notes

Date drawn: 1/21/2021

Drawn by: Avasquez

File name: SC-4030 CALI 432.dwg

Page: 1 of 1

Scale: 1:16

NOTE: THIS DRAWING EMBODIES A CONFIDENTIAL PROPRIETY DESIGN ORIGINATED AND OWNED BY COVENANT SECURITY EQUIPMENT, AND IS SUBMITTED UNDER A CONFIDENTIAL RELATIONS ALL PATENT, MANUFACTURING, SALE RIGHTS REGARDING THE SAME ARE RESERVED EXCEPT TO THE EXTENT RIGHTS ARE EXPRESSLY GRANTED TO OTHERS. THE RECIPIENT AGREES BY ACCEPTING THESE DRAWINGS NOT TO SUPPLY OR DISCLOSE ANY INFORMATION REGARDING THEM TO ANY UNAUTHORIZED PERSONAL.

SIGNATURE: _____

DATE: _____