

SUI SERIES

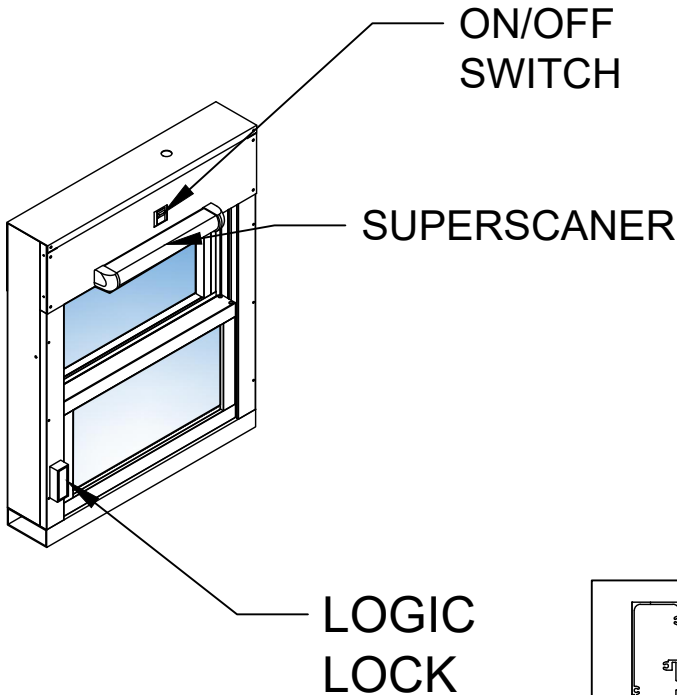
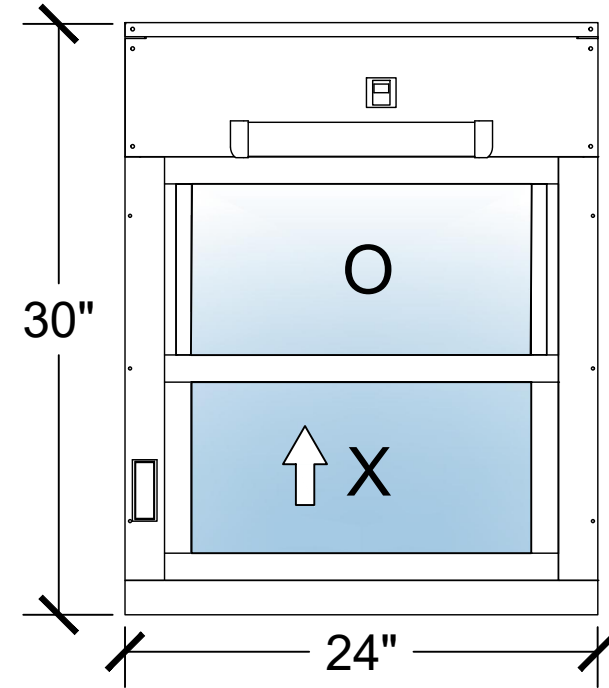
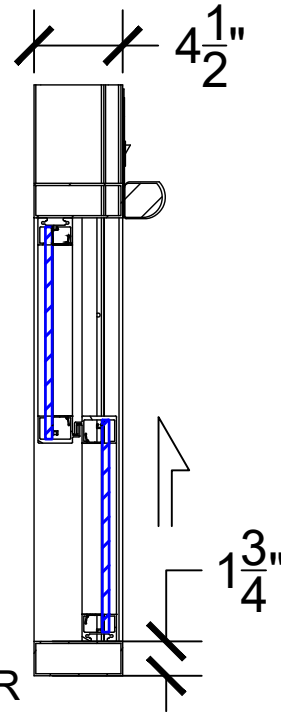
Custom SUI 100 AUTOMATIC

SIDE SECTION

INTERIOR SECTION

DIMENSIONS	WIDTH	HEIGHT
OVERALL	24"	30"
ROUGH OPENING	24-3/8"	30-3/8"
SERVICE OPENING 100	20"	8-5/8"
SERVICE OPENING 200		

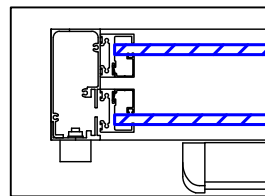
Standard Finish	Clear Anodized	Dark Bronze Anodized
Custom Finish		
Framing	Standard Aluminum	
Standard Glass	1/4" Tempered	



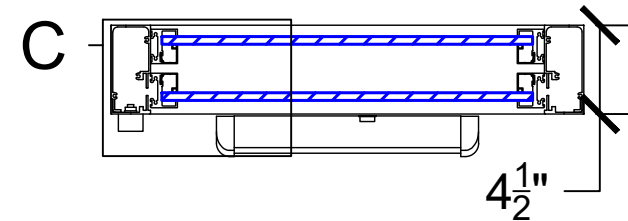
ON/OFF SWITCH

SUPERSCANNER

LOGIC LOCK



TOP SECTION



NOTE: THIS DRAWING EMBODIES A CONFIDENTIAL DESIGN ORIGINATED AND OWNED BY COVENANT SECURITY EQUIPMENT, AND IS SUBMITTED UNDER CONFIDENTIAL RELATION. ALL PATENT, MANUFACTURING, AND SALE RIGHTS ARE RESERVED EXCEPT TO THE EXTENT RIGHTS THAT ARE EXPRESSLY GRANTED TO OTHERS. THE RECIPIENT AGREES BY ACCEPTING THESE DRAWINGS NOT TO SUPPLY OR DISCLOSE ANY INFORMATION TO ANY UNAUTHORIZED PERSONNEL.



Custom SUI-100 ELECTRIC

FILE NAME: SUI 100-1 24 30.dwg
DRAWN: 2/8/2021

DRAWN BY: Avasquez
SCALE: 1:0.9746

No changes can be made after product goes into production. If ordering windows, check all dimensions and slide direction. £ Proceed £ Proceed with change £ Note changes and Resend

Signed _____ Date Signed _____