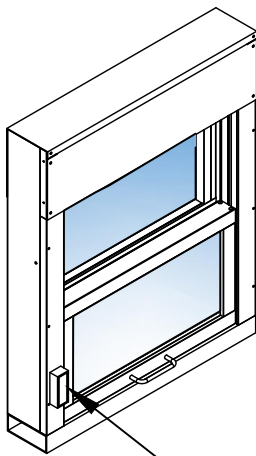
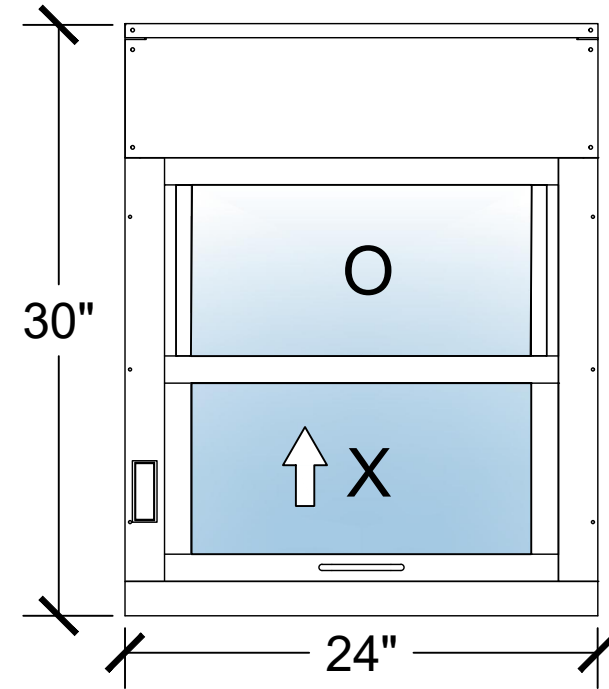
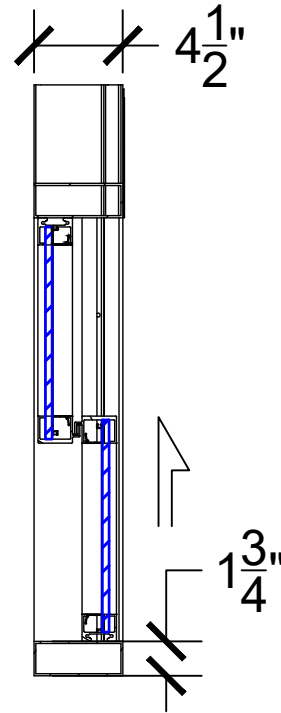


SUI SERIES

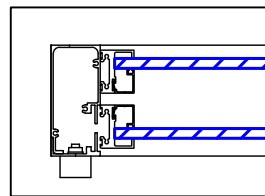
Custom SUI 200 MANUAL

SIDE SECTION

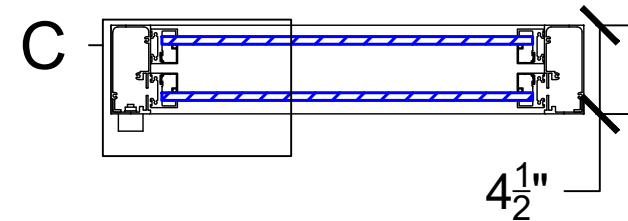
INTERIOR SECTION



LOGIC
LOCK



TOP SECTION



NOTE: THIS DRAWING EMBODIES A CONFIDENTIAL DESIGN ORIGINATED AND OWNED BY COVENANT SECURITY EQUIPMENT, AND IS SUBMITTED UNDER CONFIDENTIAL RELATION. ALL PATENT, MANUFACTURING, AND SALE RIGHTS ARE RESERVED EXCEPT TO THE EXTENT RIGHTS THAT ARE EXPRESSLY GRANTED TO OTHERS. THE RECIPIENT AGREES BY ACCEPTING THESE DRAWINGS NOT TO SUPPLY OR DISCLOSE ANY INFORMATION TO ANY UNAUTHORIZED PERSONNEL.



Custom SUI-200 MANUAL

FILE NAME: SUI 200-1 24 30.dwg

DRAWN BY: Avasquez

No changes can be made after product goes into production. If ordering windows, check all dimensions and slide direction.

Proceed Proceed with change Note changes and Resend

DRAWN 5/27/2021

SCALE: 1:0.9746

Signed _____

Date Signed _____