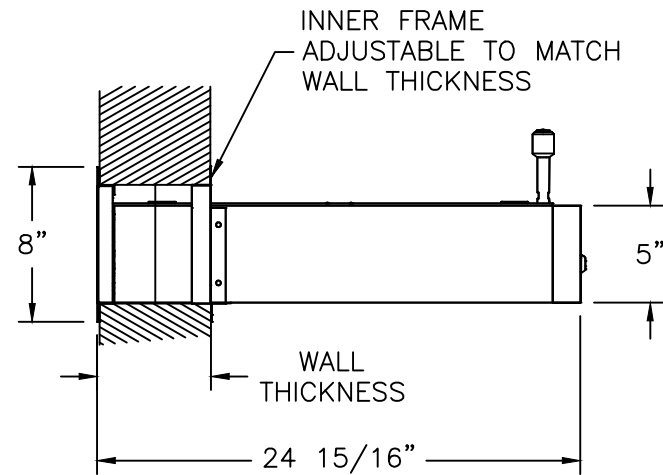
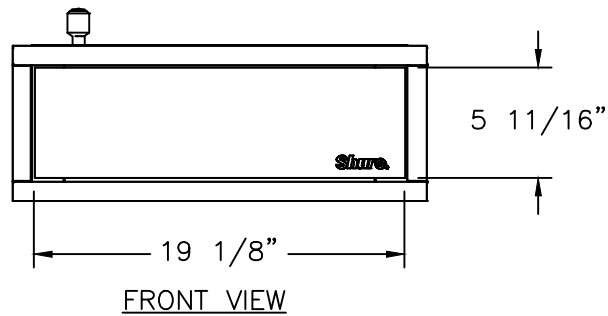
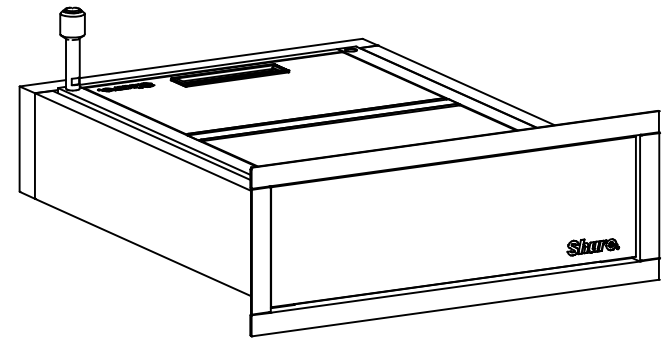
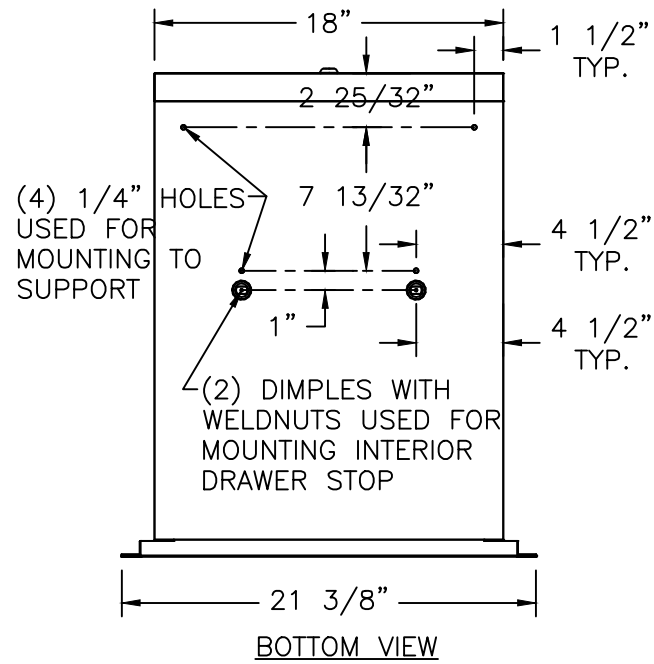
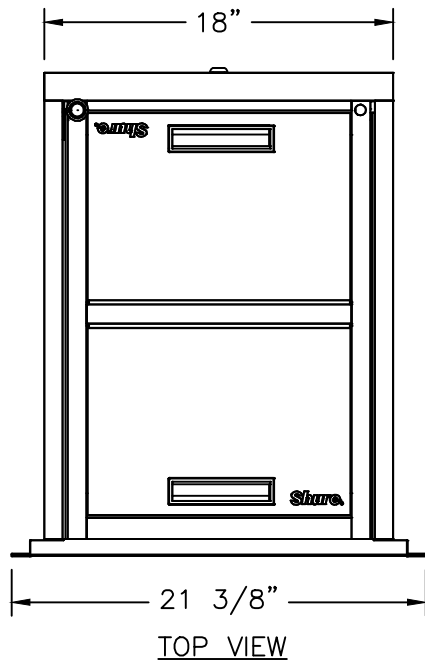


SHURESAFE SPT160 THRU-WALL DOUBLE LID DRAWER



COVENANT
Security Equipment