

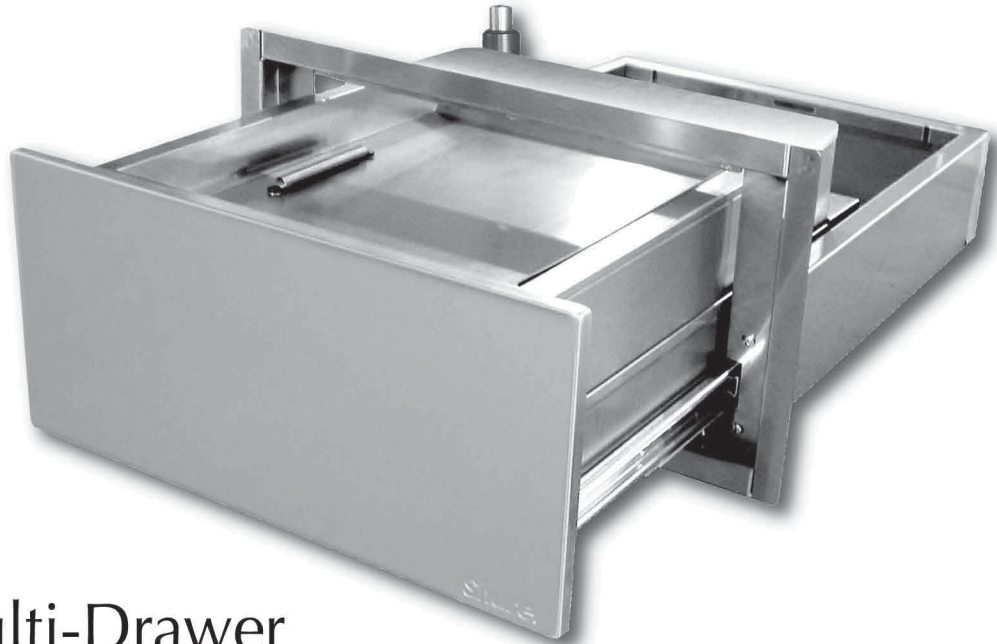


COVENANT
Security Equipment

Shure SAFE




ASSEMBLY INSTRUCTIONS

T-Wall Series



Thru-Wall Multi-Drawer
Model #SPT198

HARDWARE DESCRIPTION

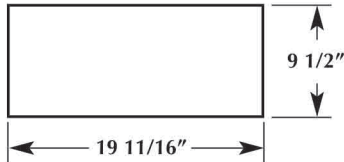
PART #	IMAGE	DESCRIPTION	QTY
0050136		#10 x 3/4" Phillips Pan Head	4
0050966		#8 x 3/8" Phillips Truss Head	14
0052346		#8-32 x 3/8" Phillips Pan Head Thread Forming	1



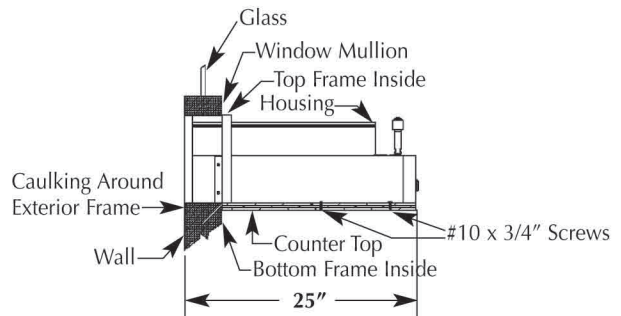


ASSEMBLY INSTRUCTIONS

REQUIRED WALL OPENING



Thru-Wall Multi-Drawer Model #SPT198



STEP 1

Insert Drawer Into Wall
Opening From The Exterior.

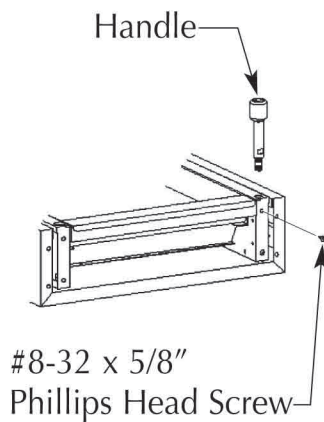
NOTE: Counter Must Be Supported At
Points Adjacent To Drawer Housing

STEP 2

Screw Handle
Assembly Into Place,
Hand Tighten.

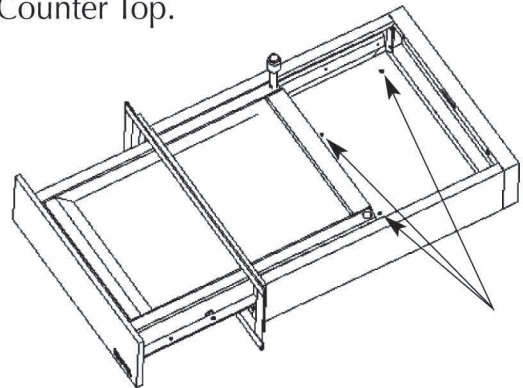
Depress Button &
Open Drawer.

Install #8-32 x 5/16"
Phillips Head Screw
In Rear Side Of Panel
& Tighten.



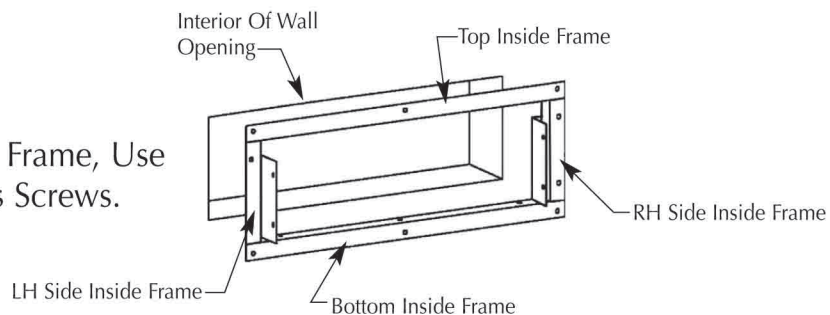
STEP 3

With Drawer Extended, Use #10 x 3/4"
Screws To Attach Drawer Housing To
Counter Top.



STEP 4

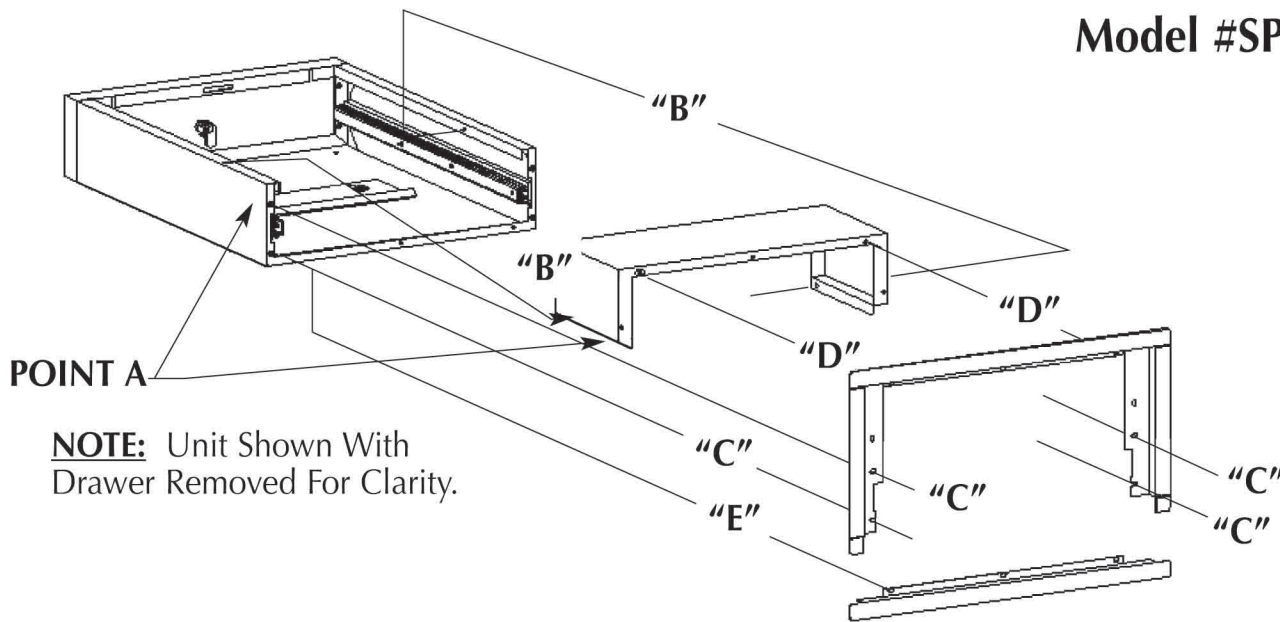
To Install Interior Frame, Use
#8 x 3/8" Phillips Screws.





ASSEMBLY INSTRUCTIONS

Thru-Wall Multi-Drawer Model #SPT198



NOTE: Unit Shown With
Drawer Removed For Clarity.

STEP 1: Set Shroud Cover On Drawer Body Holding The Front Of Shroud & Front Of Drawer Housing Flush (REF POINT A). Mark The Slot Location On The Inside Of The Housing & Drill .136 DIA. (#29 Drill) Hole In Housing (REF "B").

NOTE: Mounting The Shroud To The Drawer Is A Customer Option. If Shroud Is Not Desired, Follow The Instructions For Mounting The Front Trim Pieces.

STEP 2: Set The Shroud Back On The Housing Using The Two Holes You Just Drilled. Attach The Shroud To The Housing With (2) #8 Self-Drilling Screws.

Mount The 3 Piece Front Trim To The Housing Using (4) 8-32 Screws (REF "C"). Use (3) 8-32 Screws To Attach The Shroud Cover To The 3 Piece Front Trim (REF "D").

Now Mount The Bottom Piece Of The Front Trim To The Drawer Housing Using (3) 8-32 Screws (REF "E").

