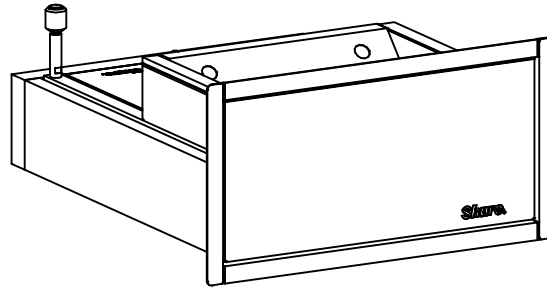
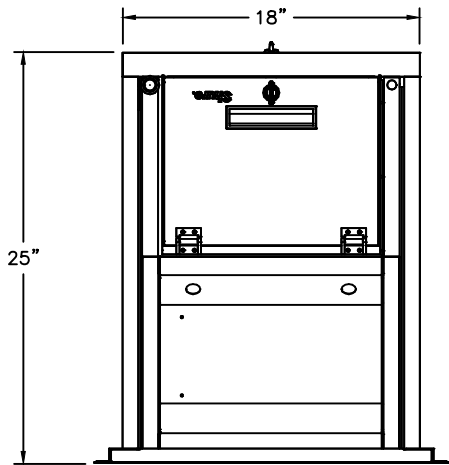
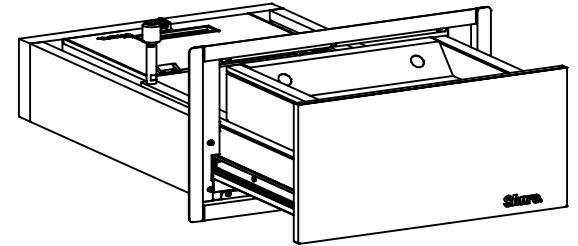


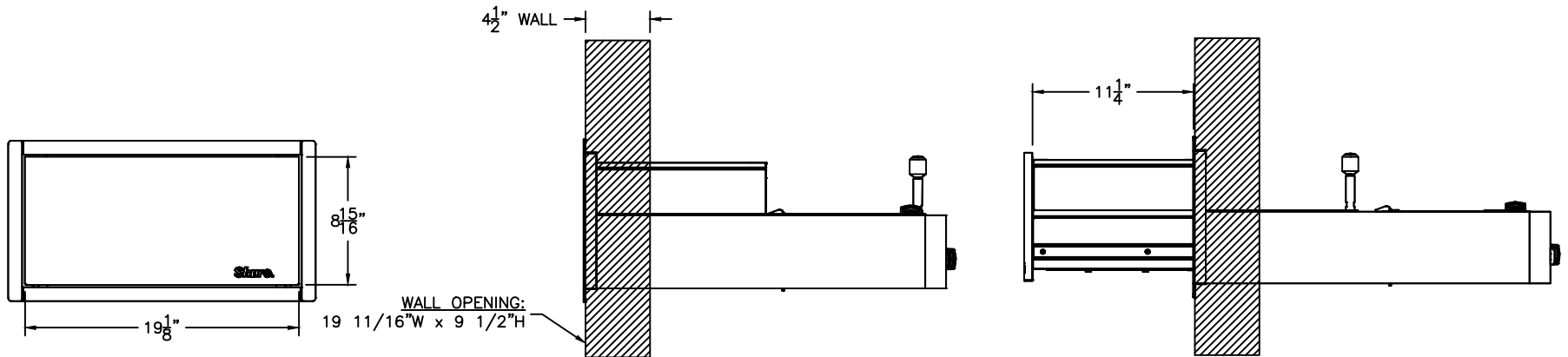
SHURESAFE SPT319 THRU-WALL DRAWER



CUSTOMER SIDE SHOWN
WITH DRAWER CLOSED



CUSTOMER SIDE SHOWN
WITH DRAWER OPEN



MATERIAL:
DRAWER IS FABRICATED USING
VARIOUS GAUGES OF STAINLESS
STEEL TYPES 304 AND 430
WITH #4 FINISH.



COVENANT
Security Equipment