

# MODEL #SPT355 ASSEMBLY INSTRUCTIONS

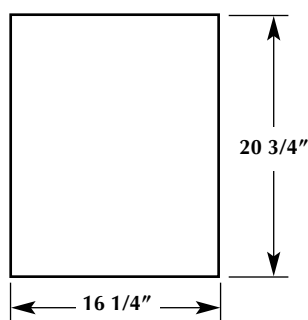


## ER Series Package Passer

### HARDWARE DESCRIPTION

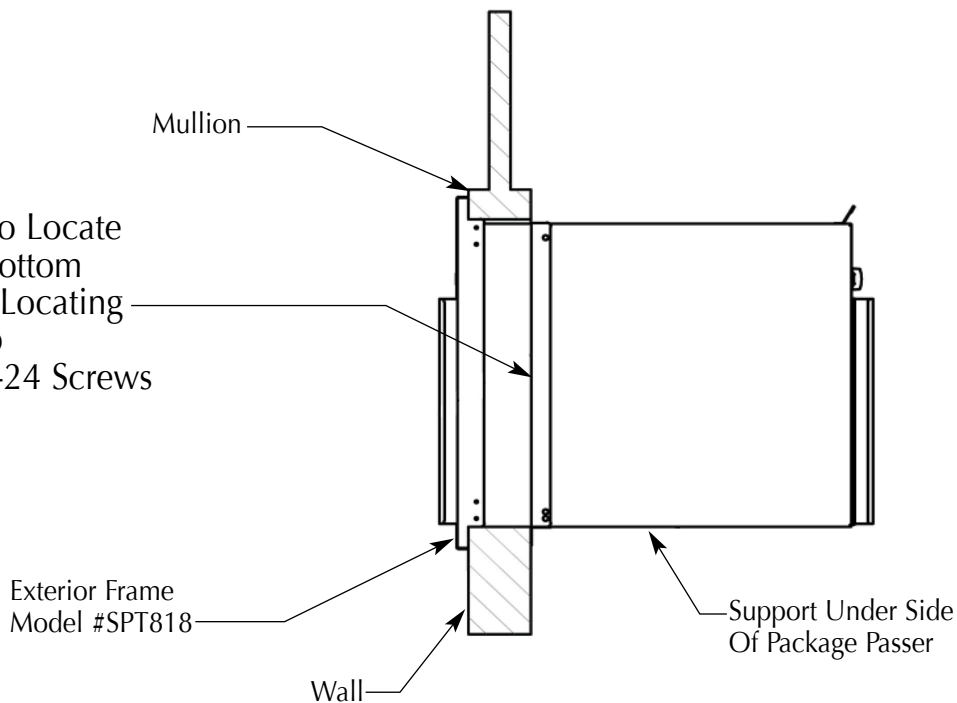
PART #	IMAGE	DESCRIPTION	QTY
0050156		10-24 x 3/8" Phillips Truss Head	18
3074280		Interior Trim Angle Bottom	1
3074791		Interior Trim Angle LH	1
3074792		Interior Trim Angle RH	1

### MINIMUM WALL OPENING



### ISOMETRIC VIEW

Use Trim Angles To Locate Holes In Side & Bottom Of Drawer. After Locating Holes, Drill & Tap (6) Holes For #10-24 Screws



**Parts Bag - PBERS2**  
**Assembly Instructions - AIERS2**  
V2 / 3-3-21 ©2021 Shure Manufacturing Corporation

