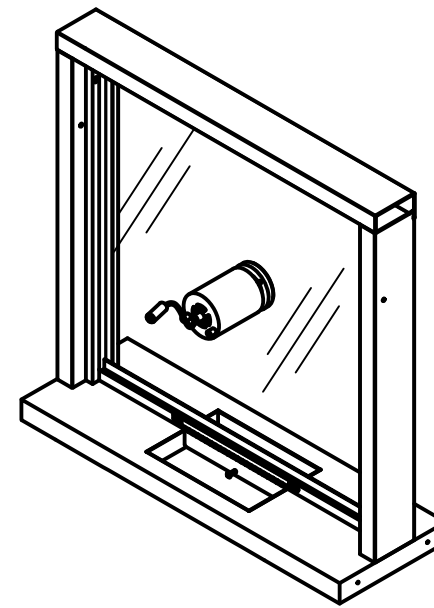
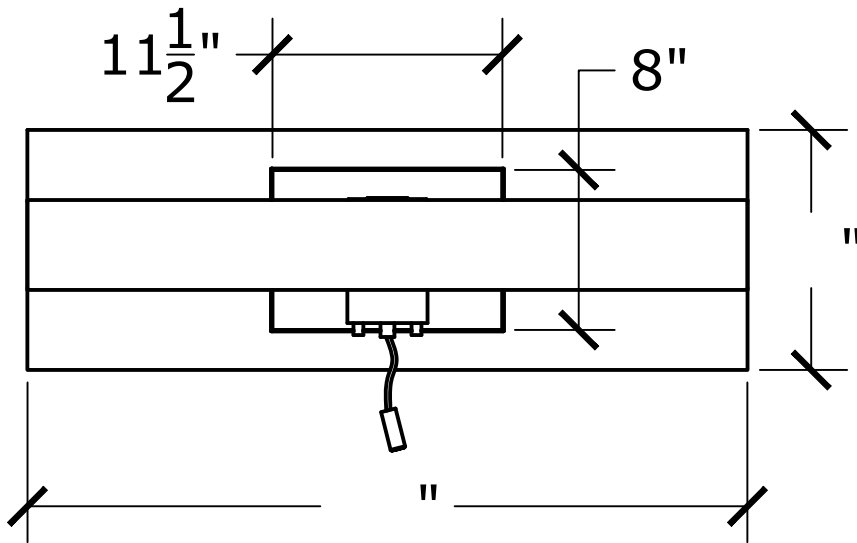
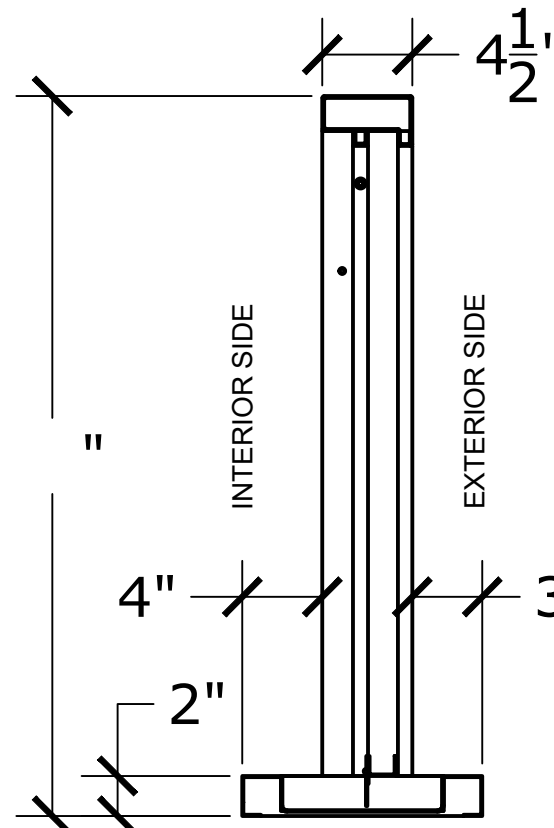




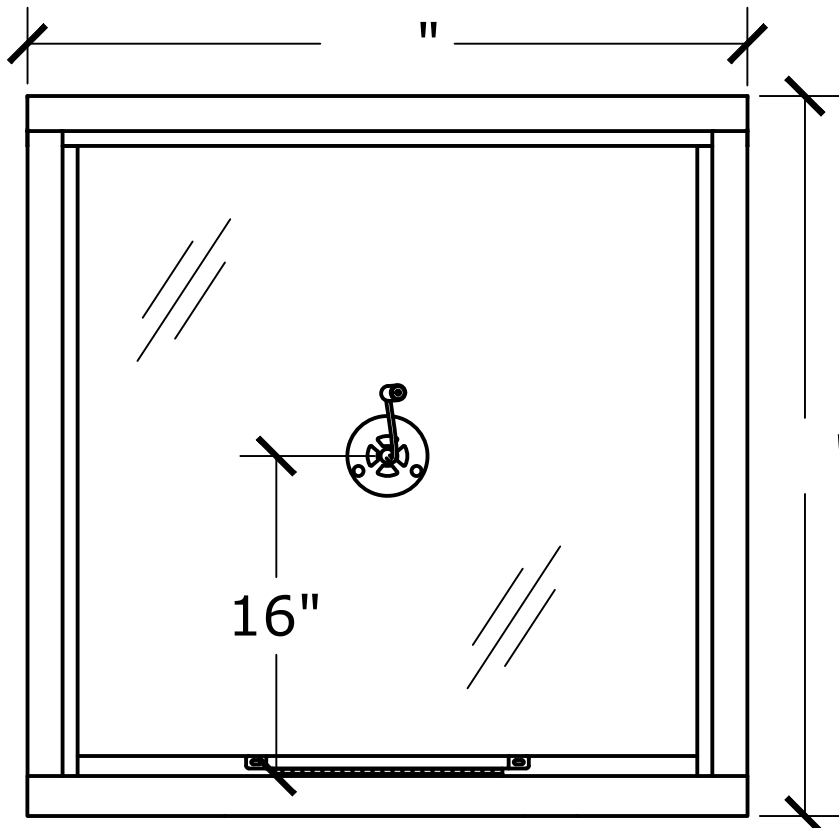
TOP VIEW



SIDE VIEW



INTERIOR FRONT VIEW



PLEASE SELECT:

1. FRAMING:

Aluminum Loaded Aluminum

Stainless

2. FRAME COLOR:

Bronze Anodized Clear Anodized

Other: _____

3. GLAZING:

1/4" Tempered 1" Insulated

3/4" Poly - L1 1-1/4" Acrylic - L1

1-1/4" Poly - L3 1-1/4" Acrylic - L3

Storm Impact Low-E

Other: _____

4. DEAL TRAY TYPE:

Non-BR - Curved BR - Square

5. SPEAKER:

SC-100 Amplified SC-100L Amplified

Key Notes

Unit:

TICKET WINDOW BASE - FILL IN WITH AMPLIFIED

Actual Dimension:

"(W) X "(H)

Rough Opening:

"(W) X "(H)

Engineer Notes

Date drawn: 5/17/2021

Drawn by: Avasquez

File name: TWB W AMP FILL IN.dwg

Page: 1 of 1

Scale: 1:10

NOTE: THIS DRAWING EMBODIES A CONFIDENTIAL PROPRIETY DESIGN ORIGINATED AND OWNED BY COVENANT SECURITY EQUIPMENT, AND IS SUBMITTED UNDER A CONFIDENTIAL RELATIONS ALL PATENT, MANUFACTURING, SALE RIGHTS REGARDING THE SAME ARE RESERVED EXCEPT TO THE EXTENT RIGHTS ARE EXPRESSLY GRANTED TO OTHERS. THE RECIPIENT AGREES BY ACCEPTING THESE DRAWINGS NOT TO SUPPLY OR DISCLOSE ANY INFORMATION REGARDING THEM TO ANY UNAUTHORIZED PERSONAL.

SIGNATURE: _____

DATE: _____