

\* 43-1/2"  
(1105 mm)

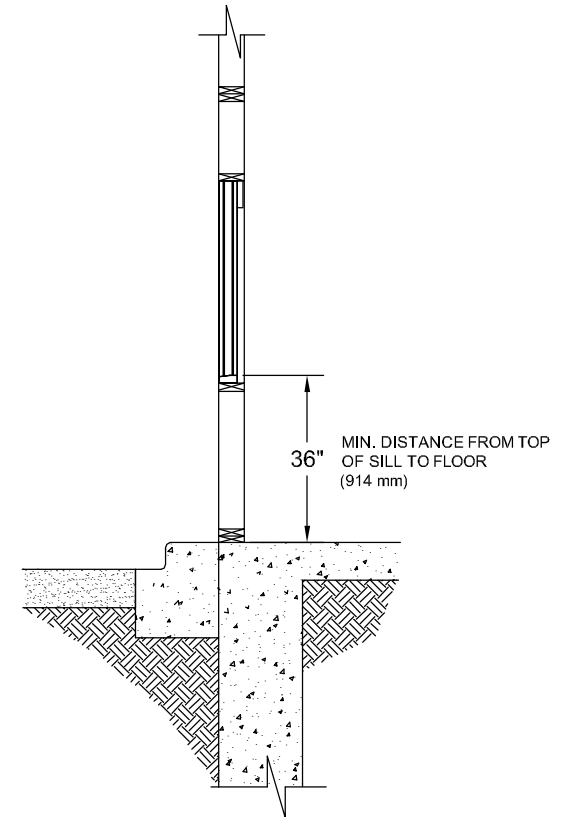
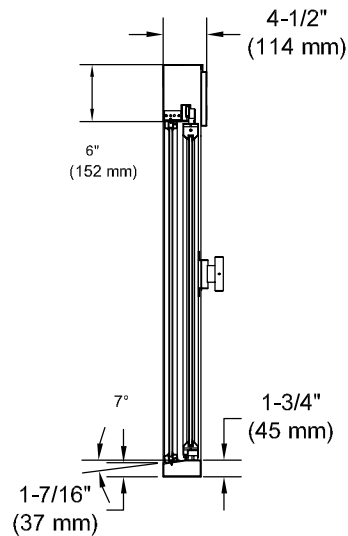
\*

## 19" X 36" SERVICE OPENING

275 - 43-1/2" H  
GLAZING ROUGH OPENING =  
47-3/4" W (1213 mm) x 43-3/4" H (1111 mm)  
MASONRY ROUGH OPENING =  
48" W (1219 mm) x 44" H (1118 mm)

275 - 35-3/4" H  
GLAZING ROUGH OPENING =  
47-3/4" W (1213 mm) x 36" H (914 mm)  
MASONRY ROUGH OPENING =  
48" W (1219 mm) x 36-1/4" H (921 mm)

35-3/4" W X 35-3/4" H  
GLAZING ROUGH OPENING =  
36" W (914 mm) x 36" H (914 mm)  
MASONRY ROUGH OPENING =  
36-1/4" W (921 mm) x 36-1/4" H (921 mm)



\* THREE STANDARD WINDOW HEIGHTS

- 43-1/2" H WITH 19"W x 36"H SERVICE OPENING
- 35-3/4" H WITH 19"W x 28"H SERVICE OPENING
- 35-3/4" SQUARE WITH 14"W x 28"H SERVICE OPENING
- Powder Coat option  
RAL #: \_\_\_\_\_

*Powder coated windows are not returnable*

\_\_\_\_\_  
SIGNATURE

\_\_\_\_\_  
DATE



**COVENANT**  
Security Equipment

MODEL CSE-RA-275-SC